



# TITAN 1

---

LED-1L14EMP700KN62/PM06 3/4K#

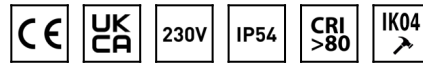
[WWW.OSMONT.CZ](http://WWW.OSMONT.CZ)

# TITAN 1

Product code: TIT71459

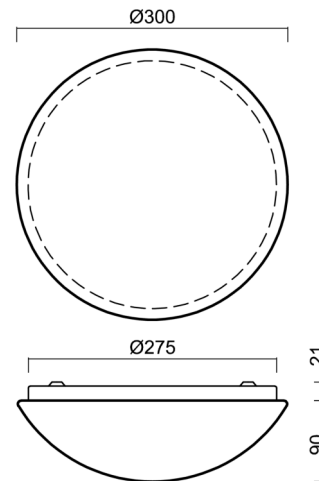
Type: LED-1L14EMP700KN62/PM06 3/4K#

Short description of the luminaire: White colour | ceiling or wall LED light ON/OFF | multipower driver | PMMA shade|



## Technical data

|                           |                              |
|---------------------------|------------------------------|
| Types of luminaires       | Classic on/off               |
| Mounting type             | surface mounted              |
| Base material             | steel                        |
| Shade material            | opal polymethyl methacrylate |
| Base color                | white Ra9003                 |
| Shade color               | white                        |
| Holding the shade         | folding system               |
| Mounting location         | ceiling/wall                 |
| Width                     | 300 mm                       |
| Length                    | 300 mm                       |
| Height                    | 105 mm                       |
| Diameter                  | ø 300 mm                     |
| mounting holes (diameter) | 3xø4mm                       |
| Cable entrance            | 2xø16mm                      |
| Energy Class              | D                            |
| Impact strength           | IK04                         |
| Operating temperature     | from -20°C to +30°C          |

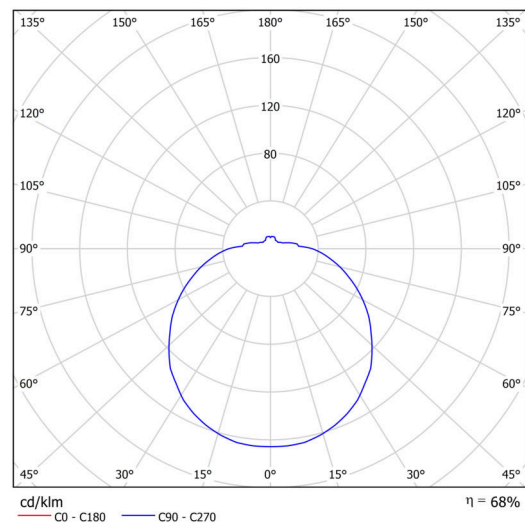


## Electrical data

|                                     |                |
|-------------------------------------|----------------|
| Power consumption                   | 18 W           |
| Ingress Protection                  | IP54           |
| Socket                              | LED modul      |
| terminal block                      | screwless      |
| Automatic circuit breaker type B10A | 37 pcs         |
| Automatic circuit breaker type B16A | 59 pcs         |
| Automatic circuit breaker type C10A | 37 pcs         |
| Automatic circuit breaker type C16A | 59 pcs         |
| Spínací proud                       | 15 A / 100 sec |

## Luminous data

|                             |              |
|-----------------------------|--------------|
| Lum. flux of luminaire      | 1910/2000 lm |
| Lum. flux of light source   | 2690/2810 lm |
| Luminaire efficacy          | 106 lm/W     |
| Chromaticity temperature    | 3000/4000 K  |
| Rated life time LED L80/B10 | 100000 hours |
| CRI                         | Ra80         |
| MacAdam                     | 3            |
| Blue light hazard           | Risk group 0 |



Eulum data for calculation programs are available at [www.osmont.cz](http://www.osmont.cz).

Multipower

Possibility of output adjustment by the user (DIP switch on the current source).

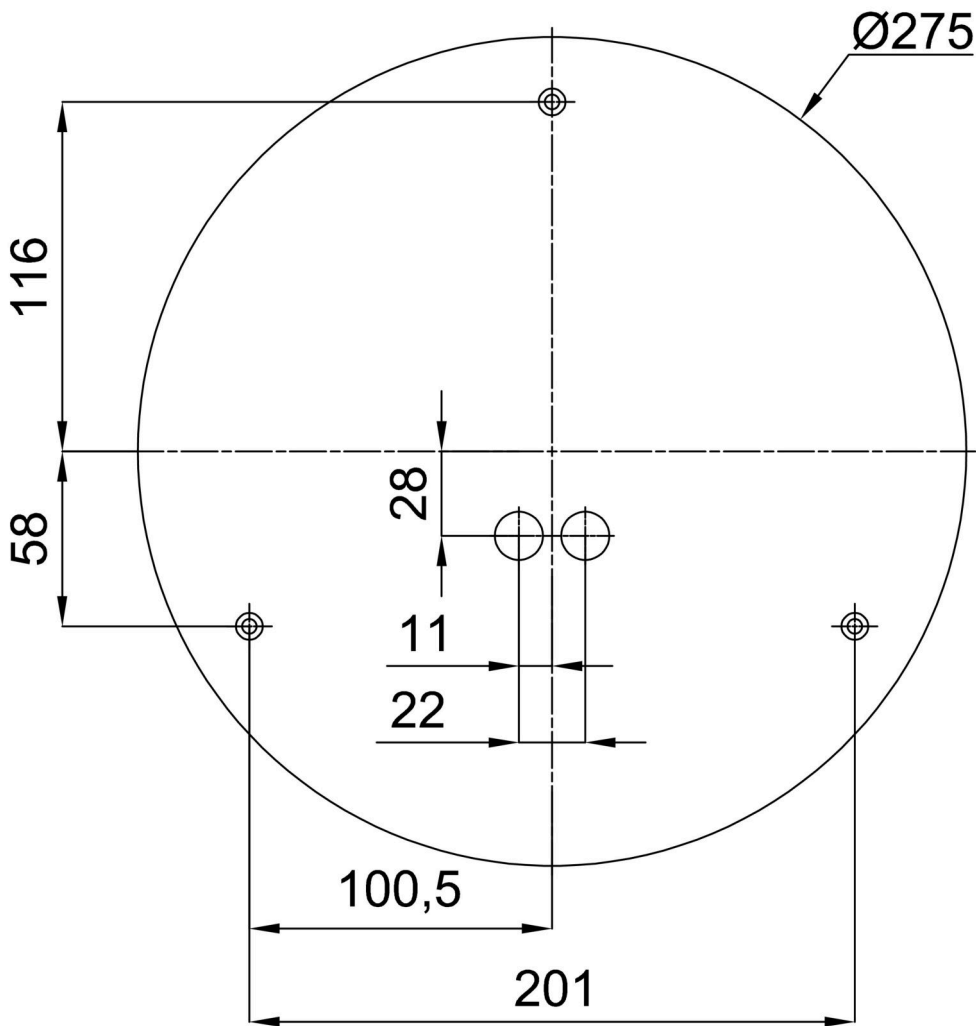
|        |     |     |     |     |     |     |     |  |
|--------|-----|-----|-----|-----|-----|-----|-----|--|
| I [mA] | 700 | 650 | 600 | 550 | 500 | 450 | 400 |  |
| [%]    | 100 | 93  | 86  | 79  | 71  | 64  | 57  |  |

Logistical data

|                   |                      |
|-------------------|----------------------|
| EAN               | 8591728133368        |
| Weight NTTO       | 0.9 Kg               |
| Weight BTTO       | 1.1 Kg               |
| Number of cartons | 1 pcs                |
| Package volume    | 0.011 m <sup>3</sup> |
| Package 1 width   | 0.3 m                |
| Package 1 length  | 0.285 m              |
| Package 1 height  | 0.13 m               |
| Warranty*         | 60 months            |


\*The warranty for the batteries is valid for 36 months from the date of purchase.

Installation dimensions:



## Additional assortment:

## Lampshade

| Product code | Name | Color | Picture   | Drawing |
|--------------|------|-------|---|---------|
| 20507        | PM06 | white |  |         |