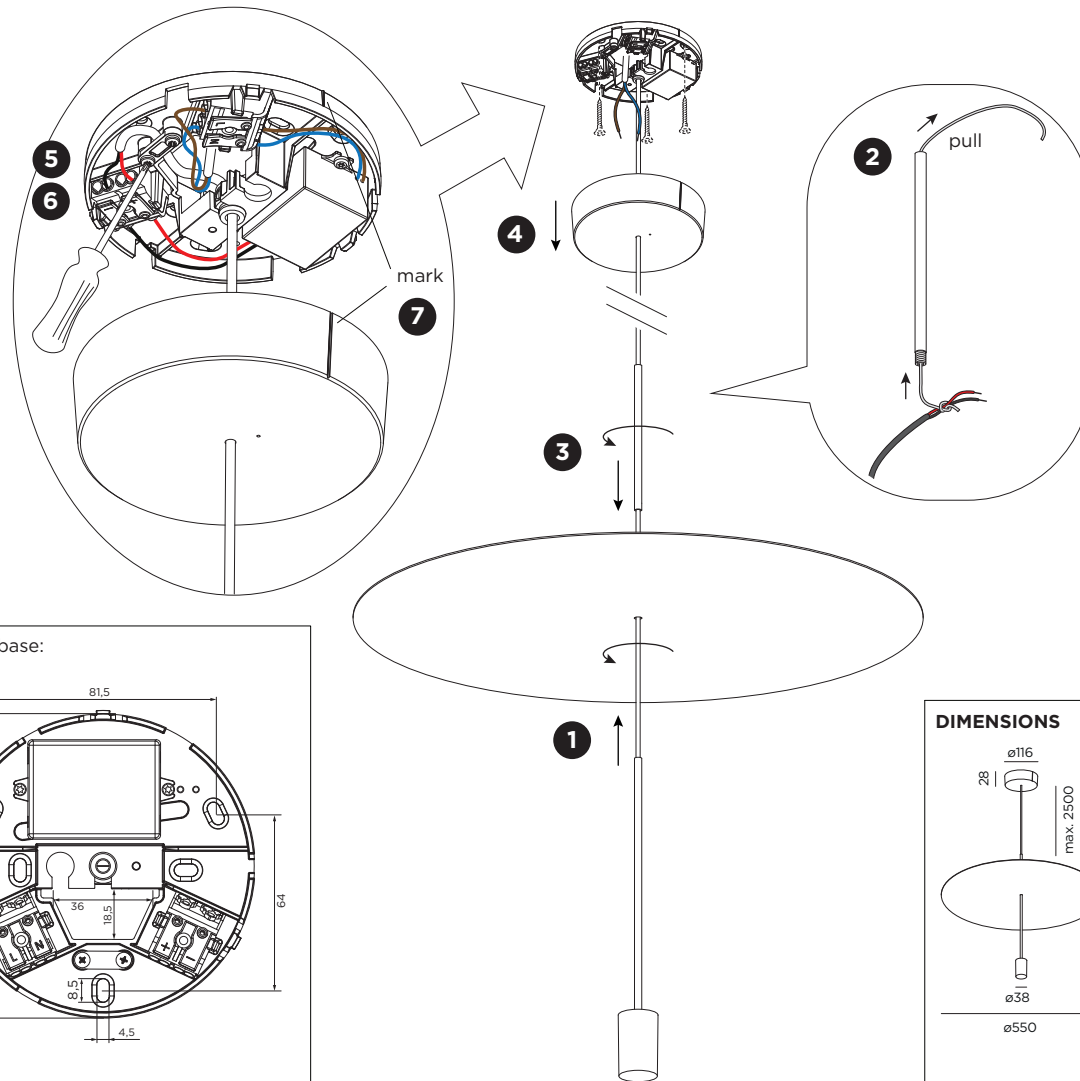


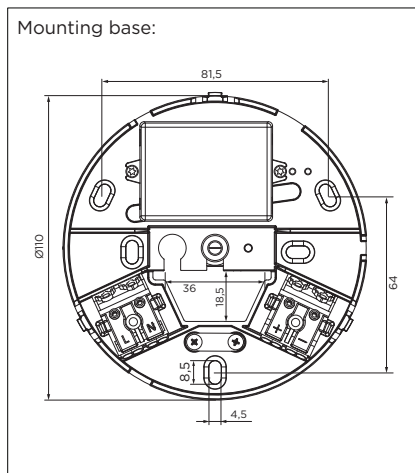
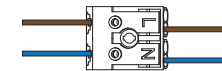
# SHEDDA

INSTALLATION INSTRUCTIONS | JUNE 2025

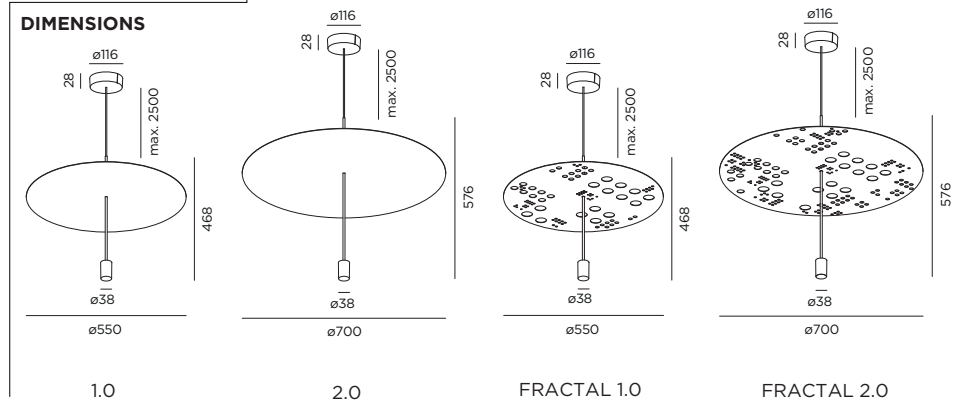


## MOUNTING INSTRUCTION

- 1** Pass the cable through the shade and screw the shade to the rod.
- 2** Guide the luminaire cable through the rod. There is a nylon thread attached in the rod, which is an auxiliary tool to help the user to pull the cable through the rod.  
Optionally shorten the cable. The driver must be powered off before disconnecting and connecting the cables.
- 3** Fix the rod to the shade by screwing it in.
- 4** Remove the cover from the mounting base by pulling and mount the base on the ceiling with screws (screws are not included).
- 5** Pull the cable through the cover and fix it in the strain relief. Connect the wires to the connector.
- 6 POWER CONNECTION**  
Connect to 220-240V.
- 7** Align the marks on both of the mounting base and the cover. Push the cover on the mounting base until it clicks.

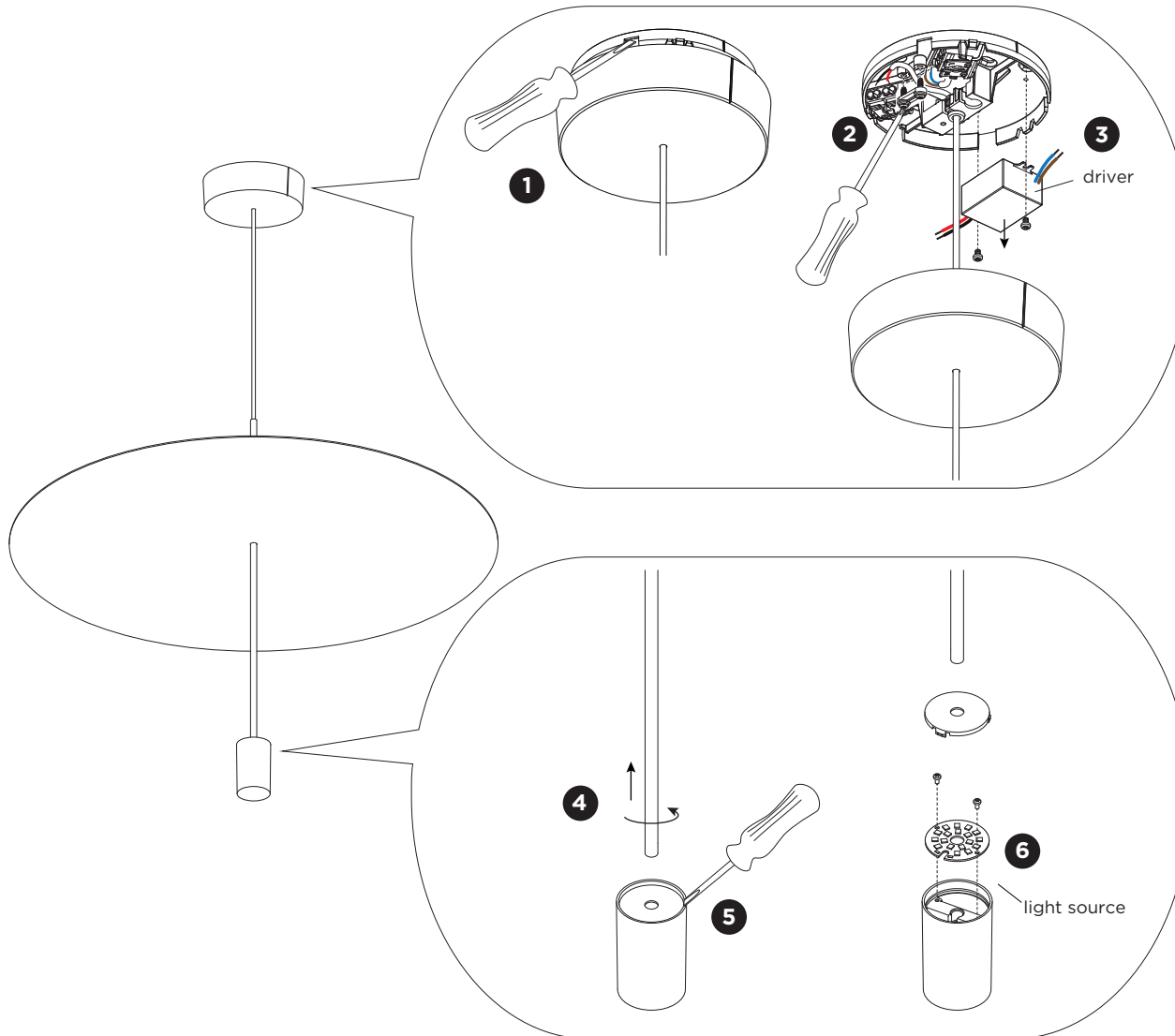


## DIMENSIONS



# SHEDDA

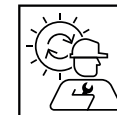
INSTALLATION INSTRUCTIONS | JUNE 2025



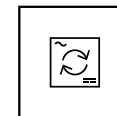
## DISMOUNTING AND RECYCLING INSTRUCTIONS

### Light source & driver

- 1 Remove the cover from the mounting base by placing a flat tool into the gap and pushing it down.
- 2 Disconnect the wires from the connector and loosen the cable from the strain relief to dismantle the fixture.
- 3 Disconnect the wires from the driver and unscrew the driver to remove it.
- 4 Unscrew the pole from the lamp body.
- 5 Pull out the cover by using a flat tool.
- 6 Unscrew the light source and disconnect the wires to remove the light source.



The light source is replaceable by Wever & Ducré or by a professional with explicit authorisation. For more information please contact your local Wever & Ducré customer service point.



The driver can be replaced by the end user.



This luminaire contains a light source with the energy class E.



Use green electricity to light up your luminaire.

**WEVER & DUCRÉ BV**

Spinnerijstraat 99/21, 8500 Kortrijk, Belgium  
weverducre.com