



SADIRA 2

LED-1L14E500BD13/PC67 3/4K#

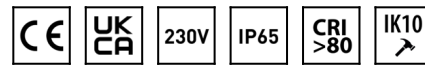
WWW.OSMONT.CZ

SADIRA 2

Product code: SAD61005

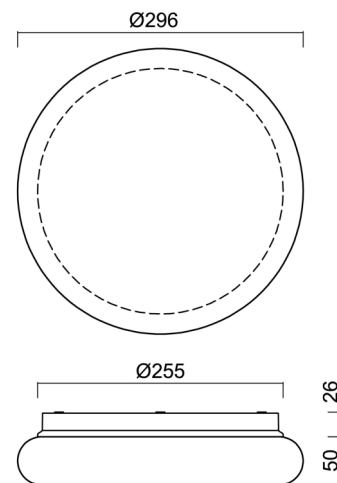
Type: LED-1L14E500BD13/PC67 3/4K#

Short description of the luminaire: White colour | ceiling or wall LED light ON/OFF | opal polycarbonate shade (PC)



Technical data

Types of luminaires	Classic on/off
Mounting type	surface mounted
Base material	polypropylene composite
Shade material	opal polycarbonate
Base color	white Ra9003
Shade color	white
Holding the shade	bayonet
Mounting location	ceiling/wall
Width	296 mm
Length	296 mm
Height	76 mm
Diameter	Ø 296 mm
mounting holes (diameter)	3xØ5mm
Cable entrance	2xØ16mm
Energy Class	D
Impact strength	IK10
Operating temperature	from -20°C to +30°C

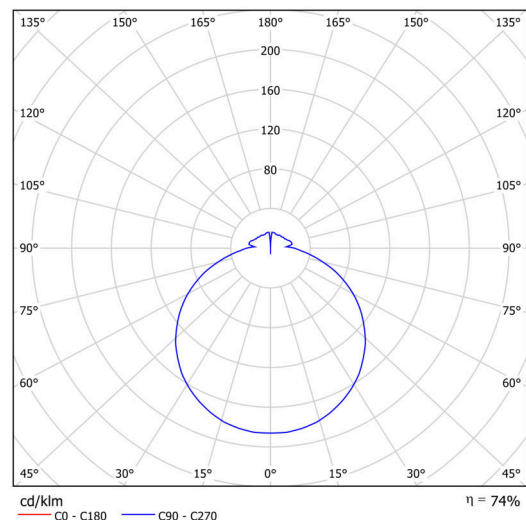


Electrical data

Power consumption	13 W
Ingress Protection	IP65
Socket	LED modul
terminal block	snap terminal block
Automatic circuit breaker type B10A	37 pcs
Automatic circuit breaker type B16A	59 pcs
Automatic circuit breaker type C10A	37 pcs
Automatic circuit breaker type C16A	59 pcs
Spínací proud	15 A / 100 sec

Luminous data

Lum. flux of luminaire	1480/1540 lm
Lum. flux of light source	2000/2080 lm
Luminaire efficacy	113 lm/W
Chromaticity temperature	3000/4000 K
Rated life time LED L80/B10	100000 hours
CRI	Ra80
MacAdam	3
Blue light hazard	Risk group 0



Eulum data for calculation programs are available at www.osmont.cz.

TECHNICAL SHEET

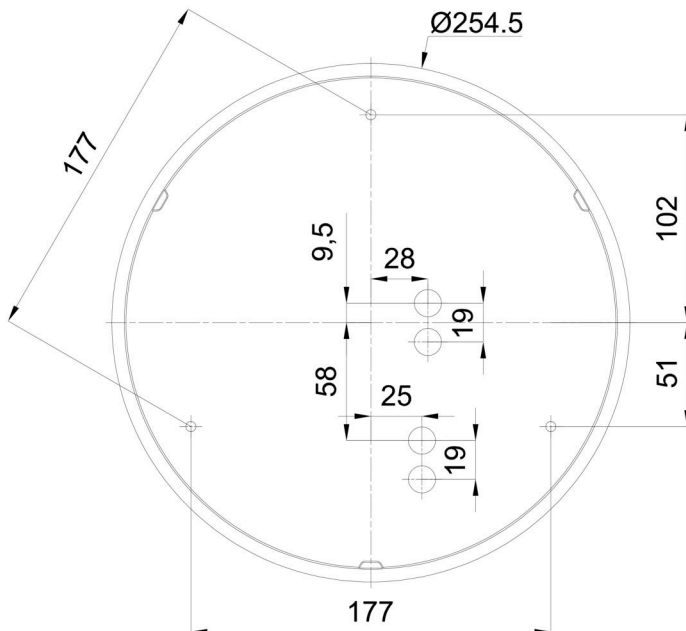


Logistical data

EAN	8591728089405
Weight NTTO	0.6 Kg
Weight BTTO	0.9 Kg
Number of cartons	1 pcs
Package 1 width	0.31 m
Package 1 length	0.31 m
Package 1 height	0.1 m
Warranty*	60 months

**The warranty for the batteries is valid for 36 months from the date of purchase.*

Installation dimensions:



Additional assortment:

Lampshade

Product code	Name	Color	Picture	Drawing
20625	PC67	white	