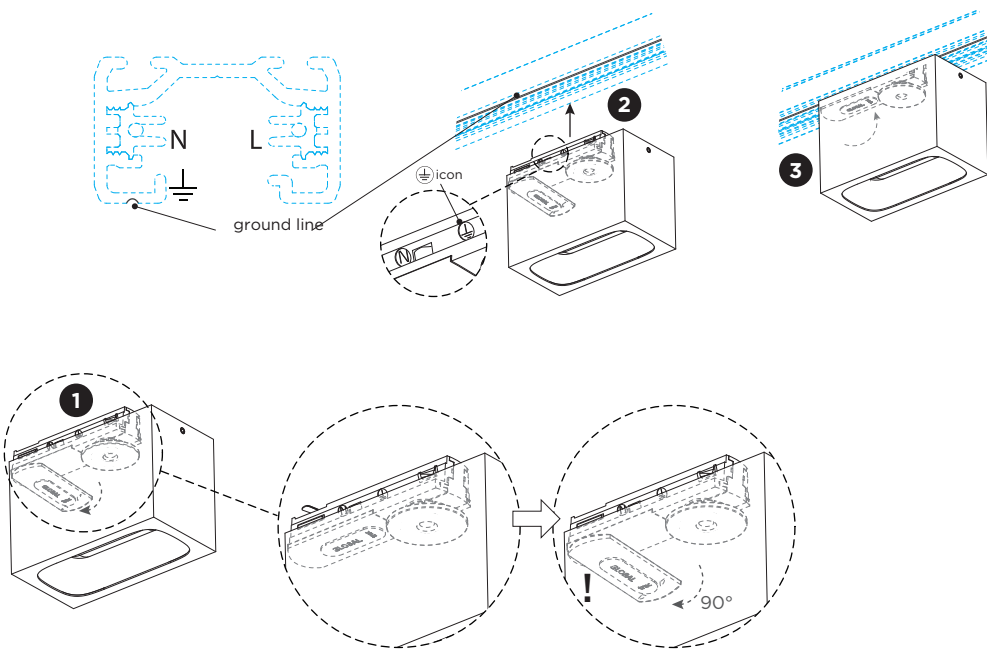
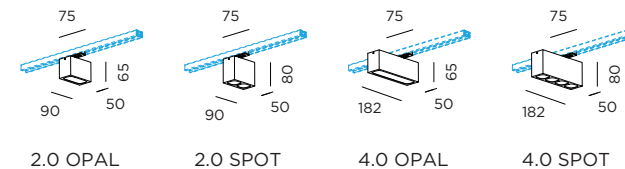


PIRRO on track (1-phase)

INSTALLATION INSTRUCTIONS | NOVEMBER 2022



DIMENSIONS

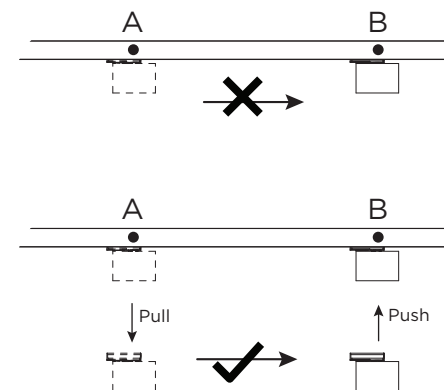


MOUNTING INSTRUCTION

- 1** Turn the adapter's handle 90° as illustrated.
- 2** Push the adapter into the track. Make sure the ⊕ icon on the inside of the adapter is faced towards the track side with the **ground line** craved in it.
- 3** Turn the handle back into the original position to lock the adapter in the track.



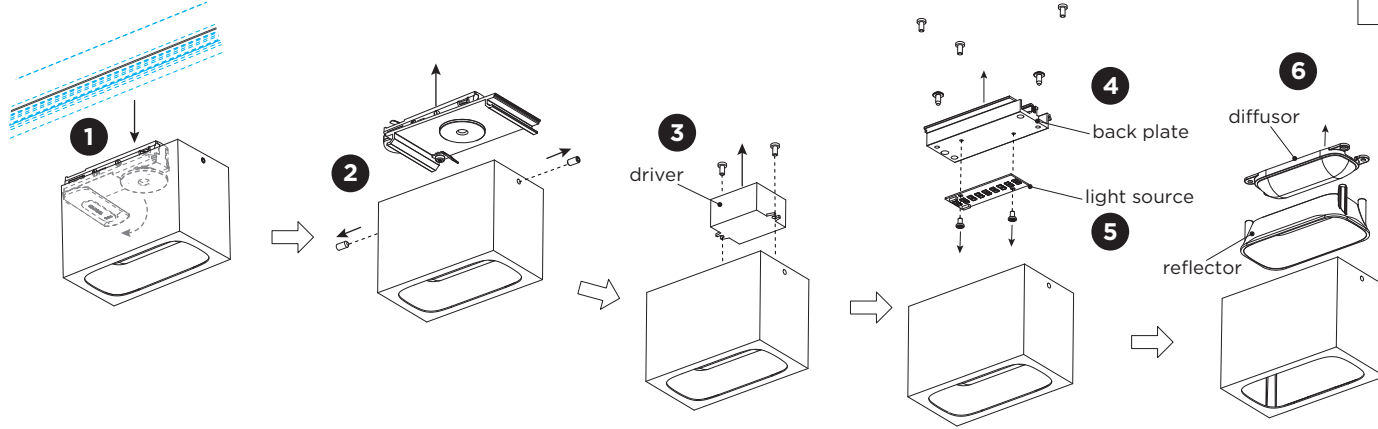
Note: It's not allowed to slide the fixture in the track. If you want to change the location of the fixture in the track, please pull the fixture out of the track and install it on the correct position.



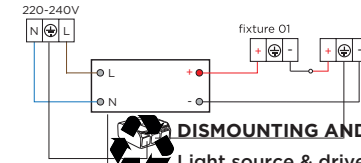
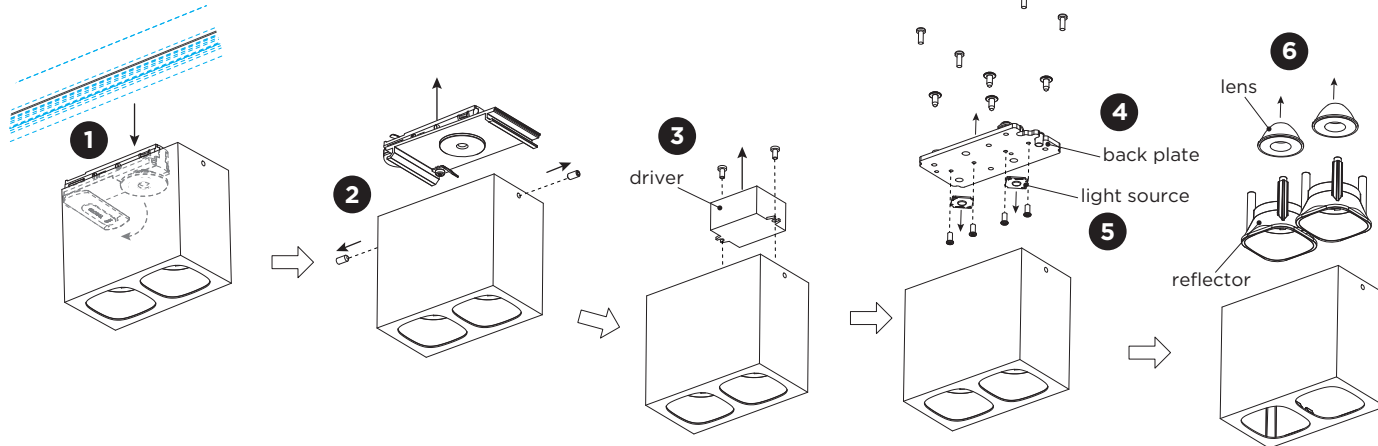
PIRRO on track (1-phase)

Multiple connection INSTALLATION INSTRUCTIONS | NOVEMBER 2022

OPAL version:

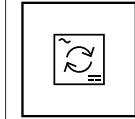


SPOT version:



DISMANTLING AND RECYCLING INSTRUCTIONS

- 1** Remove the fixture from the track by turning the handle for 90° degrees and pulling it out.
- 2** Unscrew the socket screws on the side and remove the bracket.
- 3** Remove the driver by loosening the screws and wires.
- 4** Remove the back plate inside the fixture by loosening the screws.
- 5** Remove the light source(s) from the back plate by loosening the screws.
- 6** Remove the diffusor/lenses and the reflector(s).



The driver can be replaced by the end user.



The light source is replaceable by an authorized professional. For advice contact your Wever & Ducré customer service contact point.



This luminaire contains a light source with the energy class E.