



## LUKIDA 2

---

LED-5L06E450BD1/194 KP B 4K#

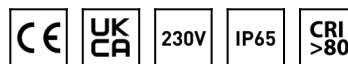
[WWW.OSMONT.CZ](http://WWW.OSMONT.CZ)

# LUKIDA 2

Product code: LUK60500

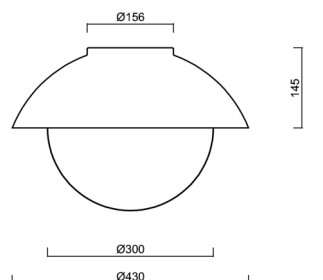
Type: LED-5L06E450BD1/194 KP B 4K#

Short description of the luminaire: White colour | ceiling or wall LED light ON/OFF| decorative collar | TRIPLEX OPAL hand blown glass shade|



## Technical data

Types of luminaires	Classic on/off
Mounting type	surface mounted
Base material	steel
Shade material	three-layer glass TRIPLEX OPAL
Base color	white Ral9003
Shade color	white
Holding the shade	bayonet
Mounting location	ceiling/wall
Width	430 mm
Length	430 mm
Height	295 mm
Diameter	ø 430 mm
mounting holes (diameter)	4xø5mm
Cable entrance	2xø16mm
Energy Class	D
Impact strength	IK01
Operating temperature	from -20°C to +30°C

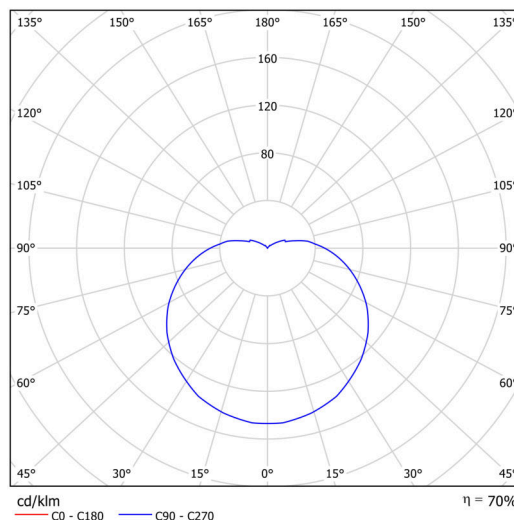


## Electrical data

Power consumption	20 W
Ingress Protection	IP65
Socket	LED modul
terminal block	screw terminal block
Automatic circuit breaker type B10A	31 pcs
Automatic circuit breaker type B16A	50 pcs
Automatic circuit breaker type C10A	52 pcs
Automatic circuit breaker type C16A	85 pcs
Spínací proud	5 A / 50 sec

## Luminous data

Lum. flux of luminaire	2280 lm
Lum. flux of light source	3510 lm
Luminaire efficacy	114 lm/W
Chromaticity temperature	4000 K
Rated life time LED L80/B10	100000 hours
CRI	Ra80
MacAdam	3
Blue light hazard	Risk group 0



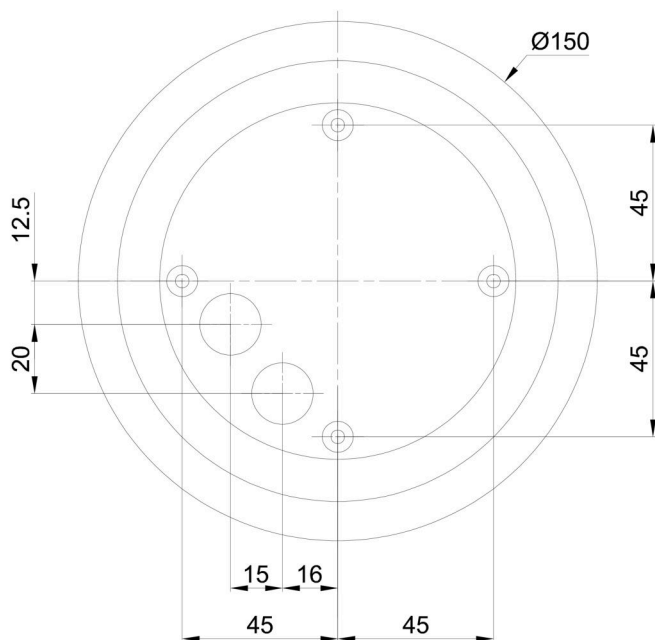
Eulum data for calculation programs are available at

Logistical data

EAN	8591728086732
Number of cartons	1 pcs
Package 1 width	0.31 m
Package 1 length	0.31 m
Package 1 height	0.31 m
Warranty*	60 months


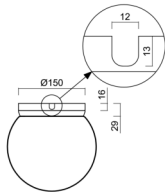
\*The warranty for the batteries is valid for 36 months from the date of purchase.

Installation dimensions:



Additional assortment:

Base for surface mounting

Product code	Name	Color	Picture	Drawing
33521	BD1/BP 2-1 B	white Ral9003		

Lampshade

Product code	Name	Color	Picture	Drawing
20094	194	white	