



## **GIEDI 2**

---

LED-2L25EMP700U12/PC28 4K##

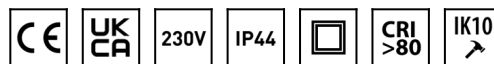
[WWW.OSMONT.CZ](http://WWW.OSMONT.CZ)

# GIEDI 2

Product code: GIE60500

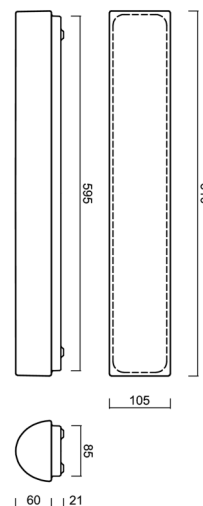
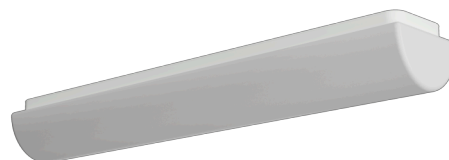
Type: LED-2L25EMP700U12/PC28 4K##

Short description of the luminaire: White colour | ceiling or wall LED light ON/OFF | multipower driver | opal polycarbonate shade (PC)



## Technical data

|                           |                     |
|---------------------------|---------------------|
| Types of luminaires       | Classic on/off      |
| Mounting type             | surface mounted     |
| Base material             | steel               |
| Shade material            | opal polycarbonate  |
| Base color                | white Ral9003       |
| Shade color               | white               |
| Holding the shade         | folding system      |
| Mounting location         | ceiling/wall        |
| Width                     | 610 mm              |
| Length                    | 105 mm              |
| Height                    | 81 mm               |
| mounting holes (diameter) | 2xØ5mm              |
| Cable entrance            | 2xØ16mm             |
| Energy Class              | D                   |
| Impact strength           | IK10                |
| Operating temperature     | from -20°C to +30°C |

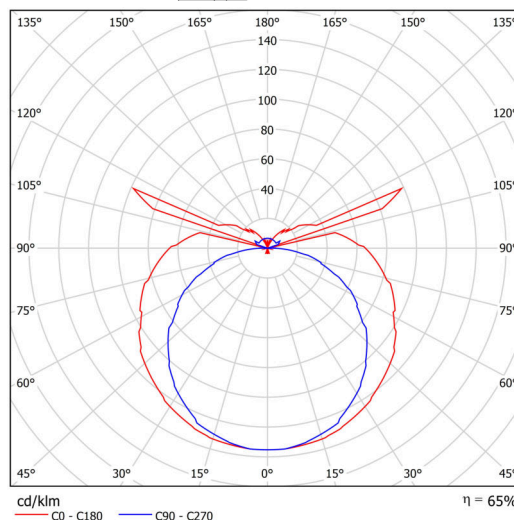


## Electrical data

|                                     |                     |
|-------------------------------------|---------------------|
| Power consumption                   | 18 W                |
| Coverage class                      | II                  |
| Ingress Protection                  | IP44                |
| Socket                              | LED modul           |
| terminal block                      | snap terminal block |
| Automatic circuit breaker type B10A | 31 pcs              |
| Automatic circuit breaker type B16A | 50 pcs              |
| Automatic circuit breaker type C10A | 52 pcs              |
| Automatic circuit breaker type C16A | 85 pcs              |
| Spínací proud                       | 5 A / 50 sec        |

## Luminous data

|                             |              |
|-----------------------------|--------------|
| Lum. flux of luminaire      | 1940 lm      |
| Lum. flux of light source   | 2810 lm      |
| Luminaire efficacy          | 107 lm/W     |
| Chromaticity temperature    | 4000 K       |
| Rated life time LED L80/B10 | 100000 hours |
| CRI                         | Ra80         |
| MacAdam                     | 3            |
| Blue light hazard           | Risk group 0 |



Eulum data for calculation programs are available at [www.osmont.cz](http://www.osmont.cz).

**Multipower**

Possibility of output adjustment by the user (DIP switch on the current source).

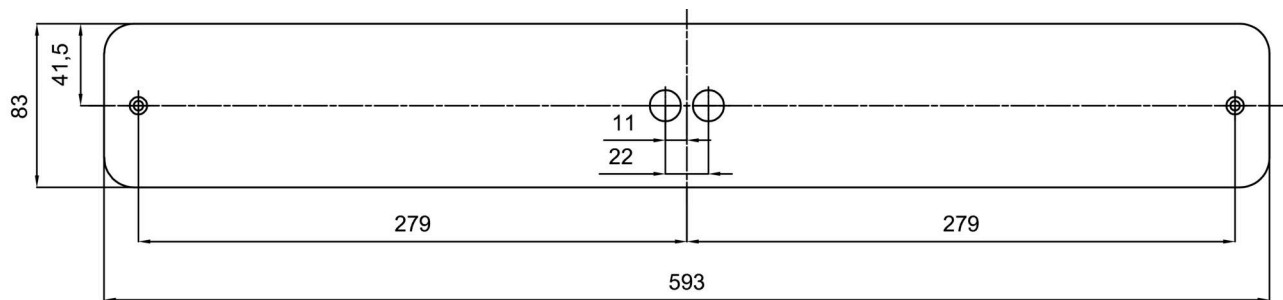
|        |     |     |     |     |     |     |     |     |
|--------|-----|-----|-----|-----|-----|-----|-----|-----|
| I [mA] | 700 | 650 | 600 | 550 | 500 | 450 | 400 | 350 |
| [%]    | 100 | 93  | 86  | 79  | 71  | 64  | 57  | 50  |

**Logistical data**

|                   |                      |
|-------------------|----------------------|
| EAN               | 8591728085933        |
| Weight NTTO       | 2.3 Kg               |
| Weight BTTO       | 2.8 Kg               |
| Number of cartons | 1 pcs                |
| Package volume    | 0.007 m <sup>3</sup> |
| Package 1 width   | 0.655 m              |
| Package 1 length  | 0.125 m              |
| Package 1 height  | 0.085 m              |
| Warranty*         | 60 months            |


*\*The warranty for the batteries is valid for 36 months from the date of purchase.*

**Installation dimensions:**



## Additional assortment:

## Lampshade

| Product code | Name | Color | Picture   | Drawing |
|--------------|------|-------|---|---------|
| 20652        | PC28 | white |  |         |