



## ELEKTRA 3K

IN-152 KB\*

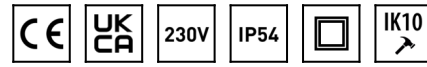
[WWW.OSMONT.CZ](http://WWW.OSMONT.CZ)

# ELEKTRA 3K

Product code: ELE50020

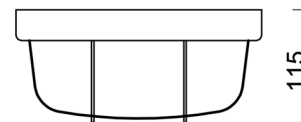
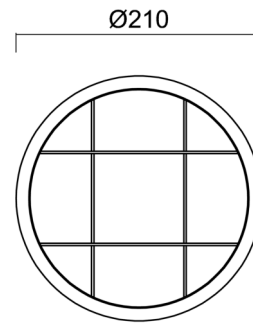
Type: IN-152 KB\*

Short description of the luminaire: White colour | industrial E27 light ON/OFF | opal polycarbonate shade (PC)



## Technical data

Types of luminaires	Classic on/off
Mounting type	industrial
Base material	polypropylene composite
Shade material	clear polycarbonate
Base color	white Ral9003
Shade color	clear
Holding the shade	bayonet
Mounting location	ceiling/wall
Width	210 mm
Length	210 mm
Height	105 mm
Diameter	ø 210 mm
mounting holes (diameter)	4xø5mm
Cable entrance	2xø16mm
Impact strength	IK10
Operating temperature	from -20°C to +30°C



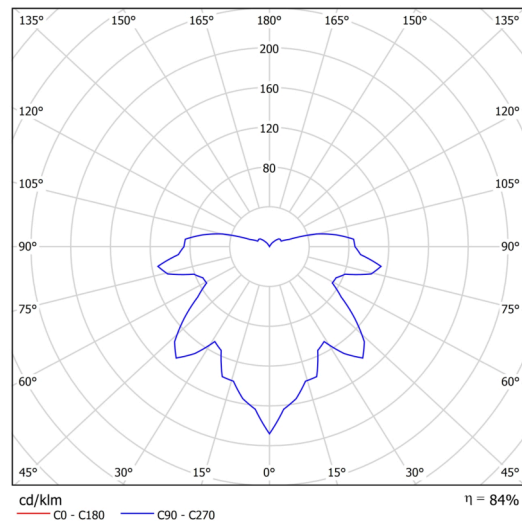
## Electrical data

Voltage type	AC
AC voltage	220 - 240 V
Power consumption	25 W
Coverage class	II
Ingress Protection	IP54
Socket	E27
terminal block	none

## Luminous data

Blue light hazard	Risk group 0
-------------------	--------------

Eulum data for calculation programs are available at [www.osmont.cz](http://www.osmont.cz).



## Logistical data

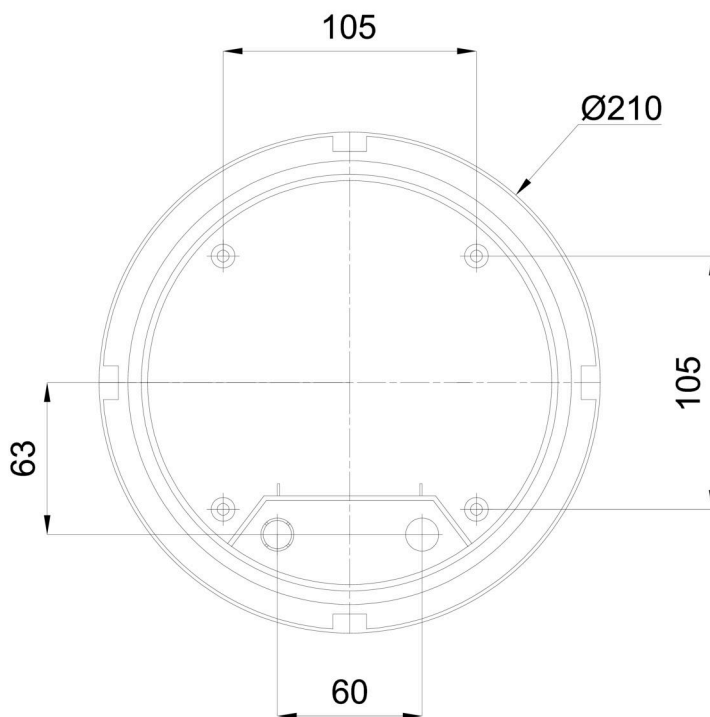
EAN	8591728500207
Weight NTTO	0.6 Kg

## TECHNICAL SHEET

Weight BTTO	0.8 Kg
Number of cartons	1 pcs
Package volume	0.005 m <sup>3</sup>
Package 1 width	0.24 m
Package 1 length	0.23 m
Package 1 height	0.095 m
Warranty*	60 months

\*The warranty for the batteries is valid for 36 months from the date of purchase.

### Installation dimensions:



## Additional assortment:

## Lampshade

Product code	Name	Color	Picture	Drawing
20500	152	white		