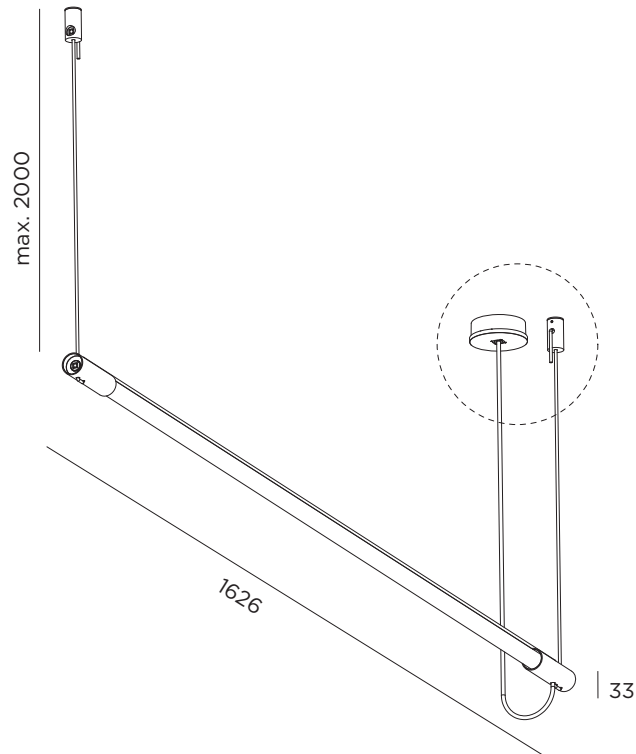
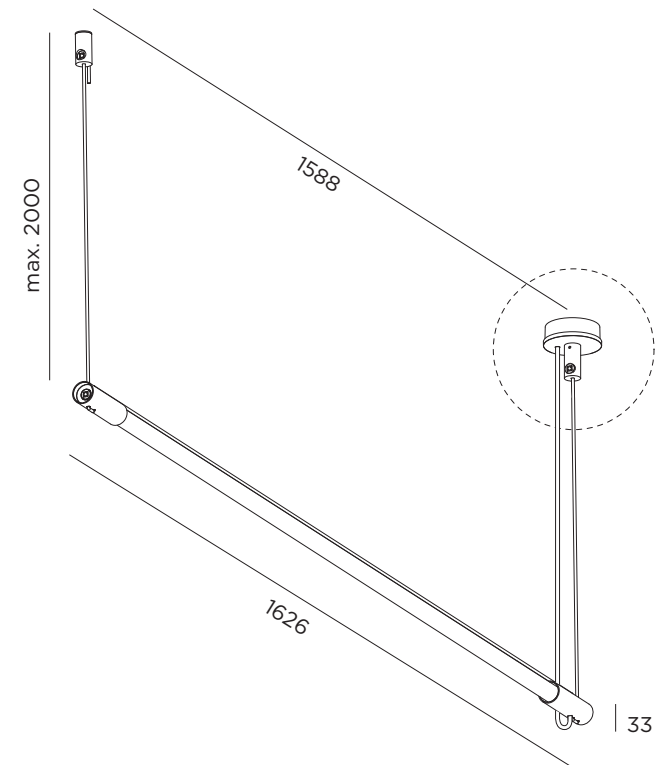


DARF SUSPENSION

INSTALLATION INSTRUCTIONS | SEPTEMBER 2023



Installation mode 1
see page 2 and 3

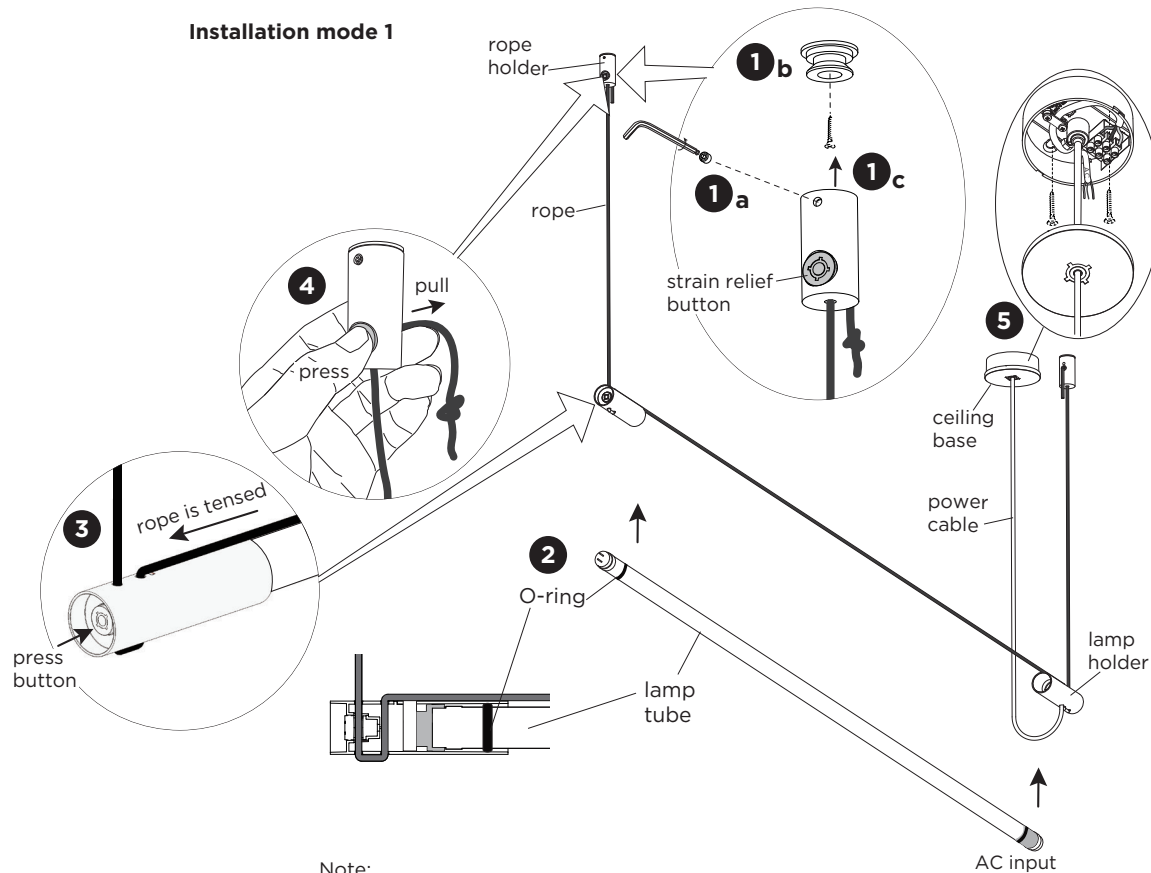


Installation mode 2
see page 4

DARF SUSPENSION

INSTALLATION INSTRUCTIONS | SEPTEMBER 2023

Installation mode 1



Note:

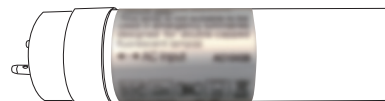
1. The length of the power cable is longer than the length of the rope, so that the rope can bear the weight of the luminaire.
2. Only one side lamp holder is electrically connected. When installing a lamp tube, connect the end of lamp tube marked AC Input to the side of power cable.



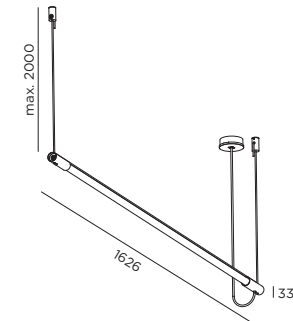
starter not needed



Connecting the lamp tube on the wrong side will cause unreparable damage.



DIMENSIONS



Installation mode 1

MOUNTING INSTRUCTION

- 1 Mount the two rope holders.
 - a. Loosen the ceiling fixation from the cylinder with the allen screw.
 - b. Mount the ceiling fixation of the rope holder with a screw (screw is not included).
 - c. Re-attach the cylinder and tighten with the allen screw.
- 2 Place the O-rings on each side of the lamp tube and mount the tube inside the lamp holders.
- 3 Use the buttons on the lamp holder to assure the rope over the LED tube is tensed.
- 4 Adjust the rope to the desired length. When the button is pressed, the rope can be pulled (up to 50mm excess rope can be saved inside the rope holder).
- 5 Mount the ceiling base: please see page 3.



Die Netzanschlussleitung muss immer außer Reichweite von Kindern verlegt werden.

Mains supply wiring shall be secured without of reach of children.

Tenere il cavo di rete lontano dalla portata dei bambini.

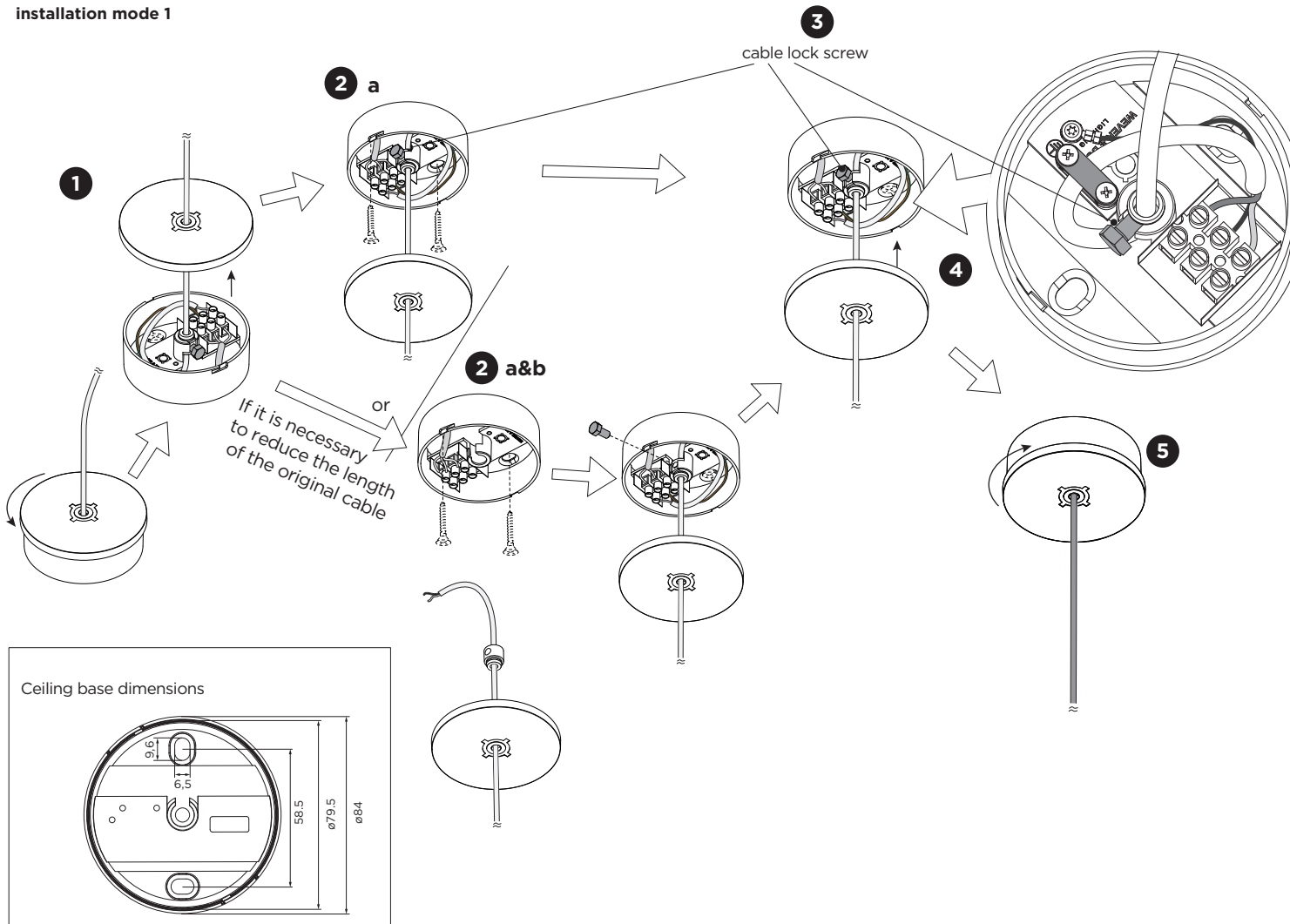
El cableado de alimentación eléctrica deberá siempre ser realizado lejos del alcance de niños.

Installez les câblages électriques hors de portée des enfants.

DARF SUSPENSION

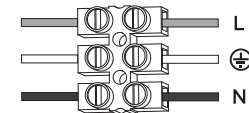
INSTALLATION INSTRUCTIONS | SEPTEMBER 2023

installation mode 1

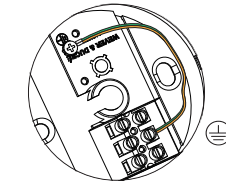


MOUNTING INSTRUCTION

- 1 Turn the cover counterclockwise a quarter in order to loosen it from the ceiling base.
- 2 a. Fix the ceiling base to the ceiling with screws (screws are not included).
b. Reduce the cable length and dismantle the inner wires.
- 3 **Firmly tighten the cable lock screw on the strain relief.**
- 4 **POWER CONNECTION**
Connect to 220-240V.



Ceiling base earth connection:



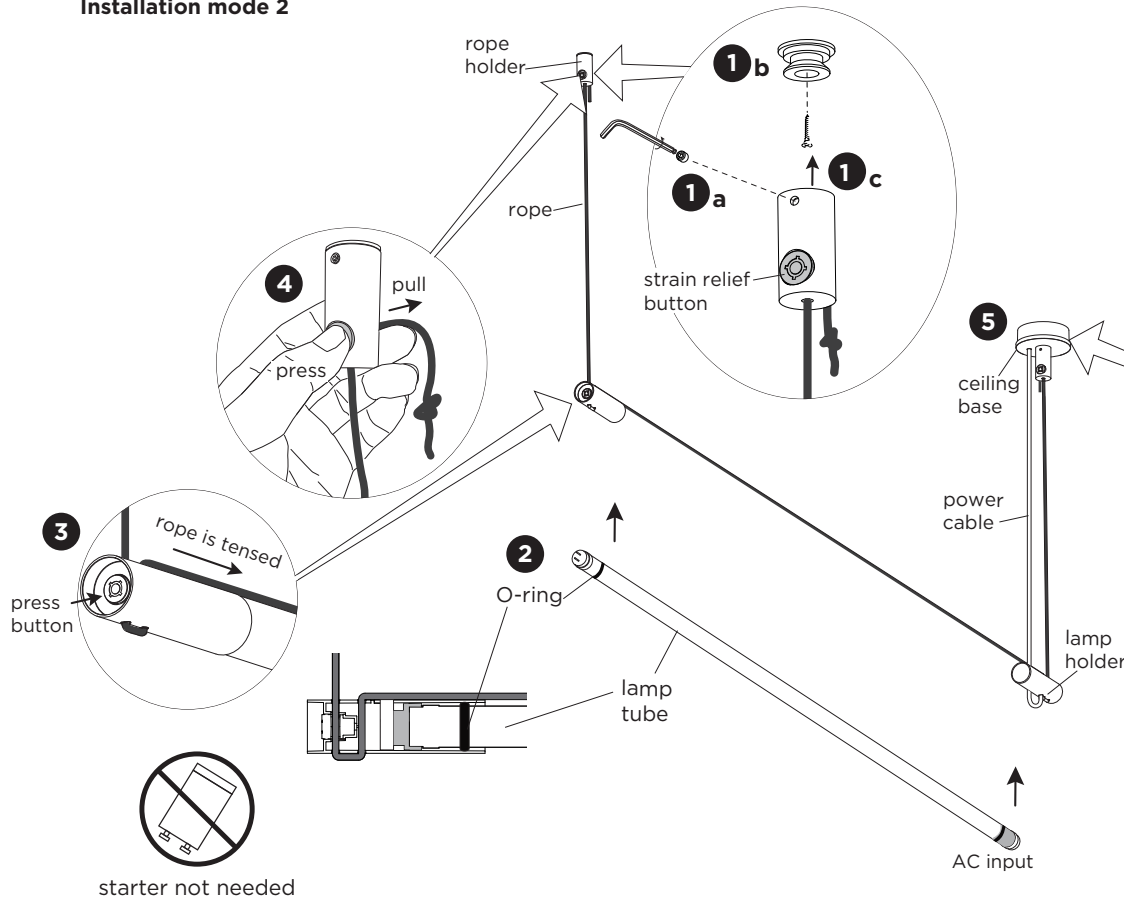
- 5 Mount the cover back to the base by turning clockwise.

For installation mode 2, please see page 4.

DARF SUSPENSION

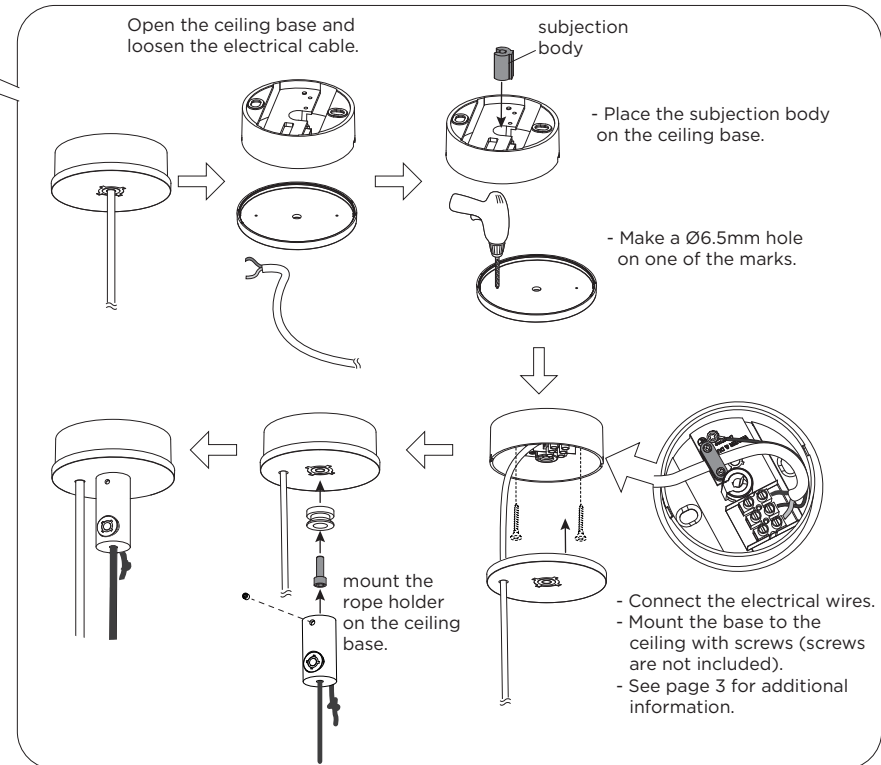
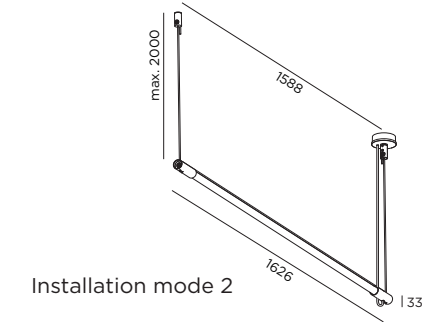
INSTALLATION INSTRUCTIONS | SEPTEMBER 2023

Installation mode 2



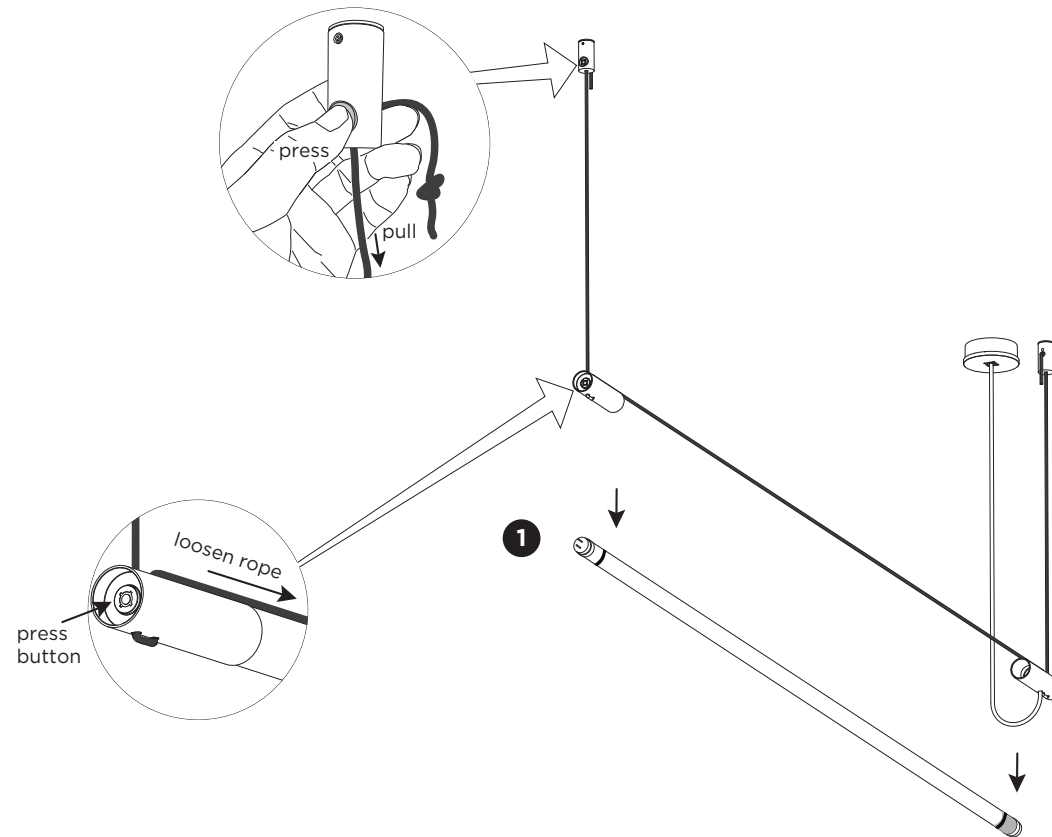
starter not needed

DIMENSIONS



DARF SUSPENSION

INSTALLATION INSTRUCTIONS | SEPTEMBER 2023

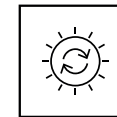


DISMOUNTING AND RECYCLING INSTRUCTIONS

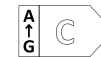
Light source

- 1 Dismount the lamp tube in opposite direction of the mounting instruction.

Use the buttons on the lamp holder to loosen the rope and remove the lamp tube.



The light source can be replaced by the end user.



This luminaire contains a light source with the energy class C.