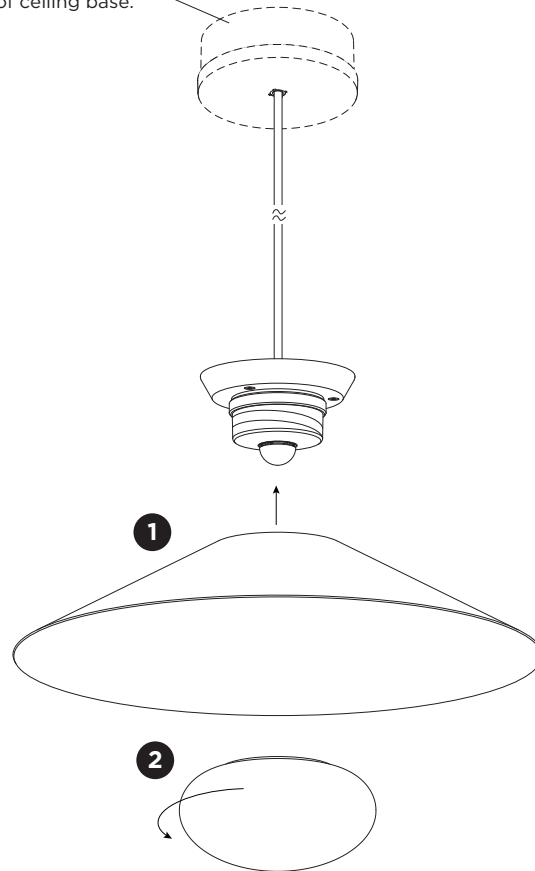


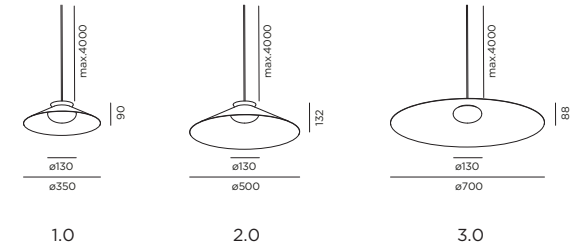
CLEA SUSPENDED

INSTALLATION INSTRUCTIONS | JANUARY 2023

ceiling base (not included)
See separate installation
instruction of ceiling base.



DIMENSIONS



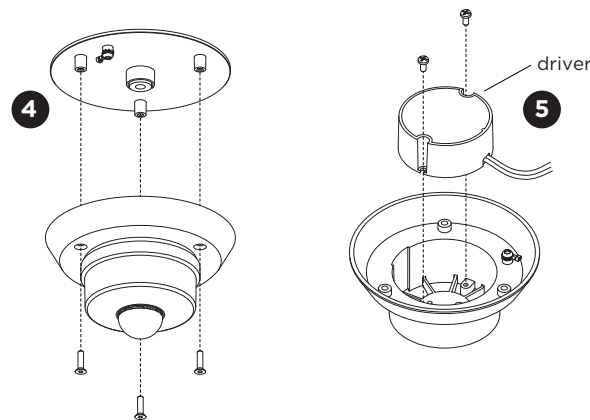
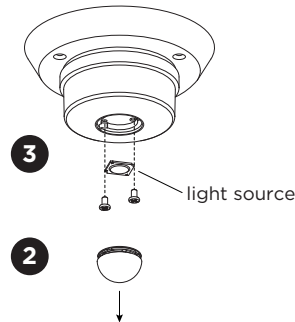
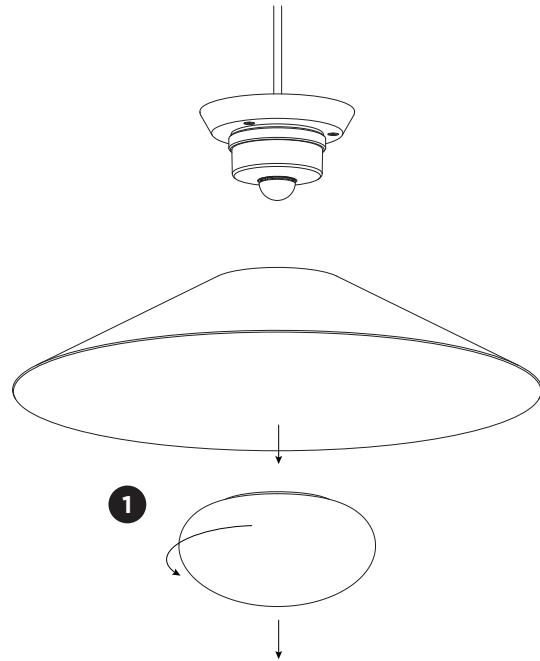
MOUNTING INSTRUCTION

- 1 Put the shade over the fixture.
- 2 Screw the glass on.
- 3 **POWER CONNECTION**
Connect to 220-240V



CLEA SUSPENDED

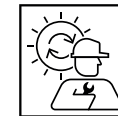
INSTALLATION INSTRUCTIONS | JANUARY 2023



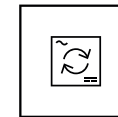
DISMANTLING AND RECYCLING INSTRUCTIONS

Light source

- 1 Unscrew the glass and remove it together with the shade.
- 2 Remove the lens by pulling.
- 3 Unscrew the light source to remove it.
- 4 Remove the cover by unscrewing it.
- 5 Disconnect the wires and unscrew the driver to remove it.



The light source is replaceable by Wever & Ducré or by a professional with explicit authorisation. For more information please contact your local Wever & Ducré customer service point.



The driver can be replaced by the end user.

This luminaire contains a light source with the corresponding energy class:

colour temperature	Energy class
2700K	A ↑ G E
3000K	A ↑ G D