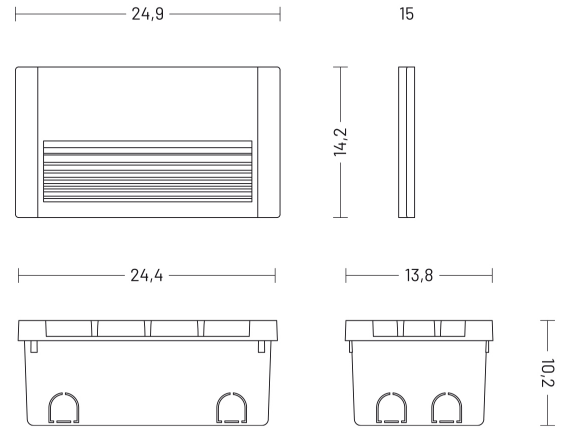


Brick Light_as | 12 W | asymmetric | Wall recessed

Technical Specifications

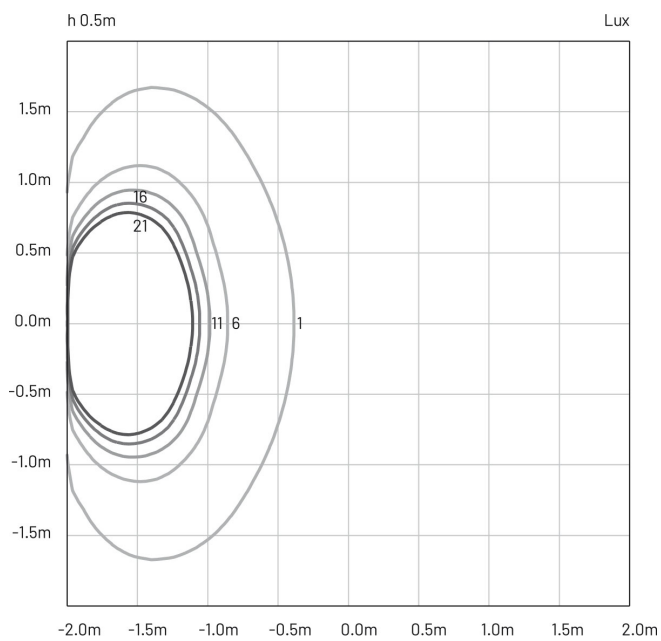
Source lamp	LED 12 W
Total wattage	15
Voltage	220-240 Vac - 50/60 Hz
Control	On/Off (other controls on request)
Luminous flux (*Source flux)	95 lm (1040 lm*) @ 3000 K
Luminous efficacy	6.5 lm/W @ 3000 K
Light Temperature	3000 K
McADAM steps	3
Beam	asymmetric
CRI	>90
Life time	L80-B15 > 60.000 h Ta 40°C
IP rating	65
IK rating	8
Insulation class	I
Note	Control on request: DALI - 1/10V - DMX - TRIAC Light control on request: 2200K - RGBW



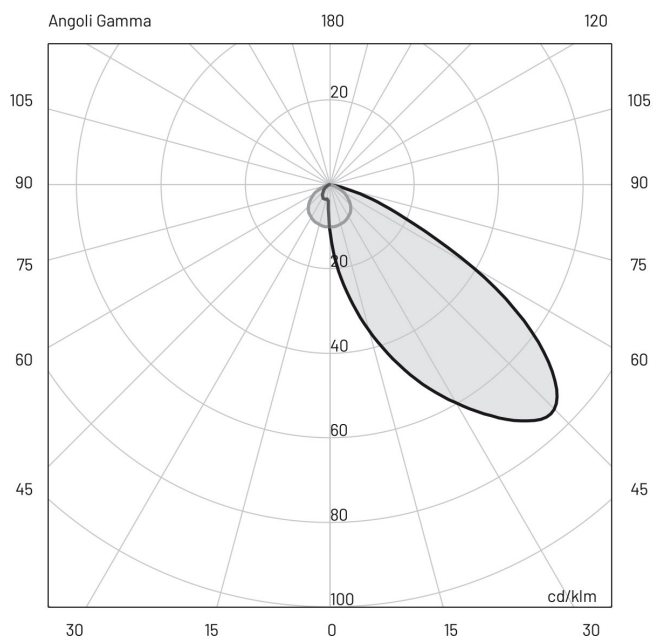
Materials

Body	Die-cast aluminium
Diffuser	Opal polycarbonate
Finishing	Grey - Polyester powder paint

Isolux



Photometry



Included accessories

0404M004

Single connection IP68

