



ANCHA 1

IN-12LN/092 B*

WWW.OSMONT.CZ

ANCHA 1

Product code: ANC40000

Type: IN-12LN/092 B*

Short description of the luminaire: White colour | ceiling or wall E27 light ON/OFF | TRIPLEX OPAL hand blown glass shade |



Technical

Types of luminaires	Classic on/off
Mounting type	surface mounted
Base material	steel
Shade material	three-layer glass TRIPLEX OPAL
Base color	white Ral9003
Shade color	white
Holding the shade	steel holder
Mounting location	wall
Width	200 mm
Length	313 mm
Height	365 mm
Diameter	ø 200 mm
mounting holes (diameter)	3xø5mm
Cable entrance	2xø16mm
Impact strength	IK01
Operating temperature	from -20°C to +30°C



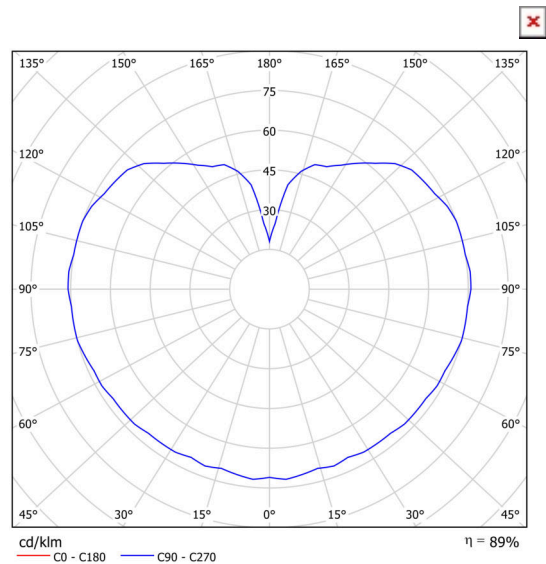
Electric

Power consumption	25 W
Ingress Protection	IP40
Socket	E27
terminal block	snap terminal block

Luminous

Blue light hazard	Risk group 0
-------------------	--------------

Eulum data for calculation programs are available at www.osmont.cz.

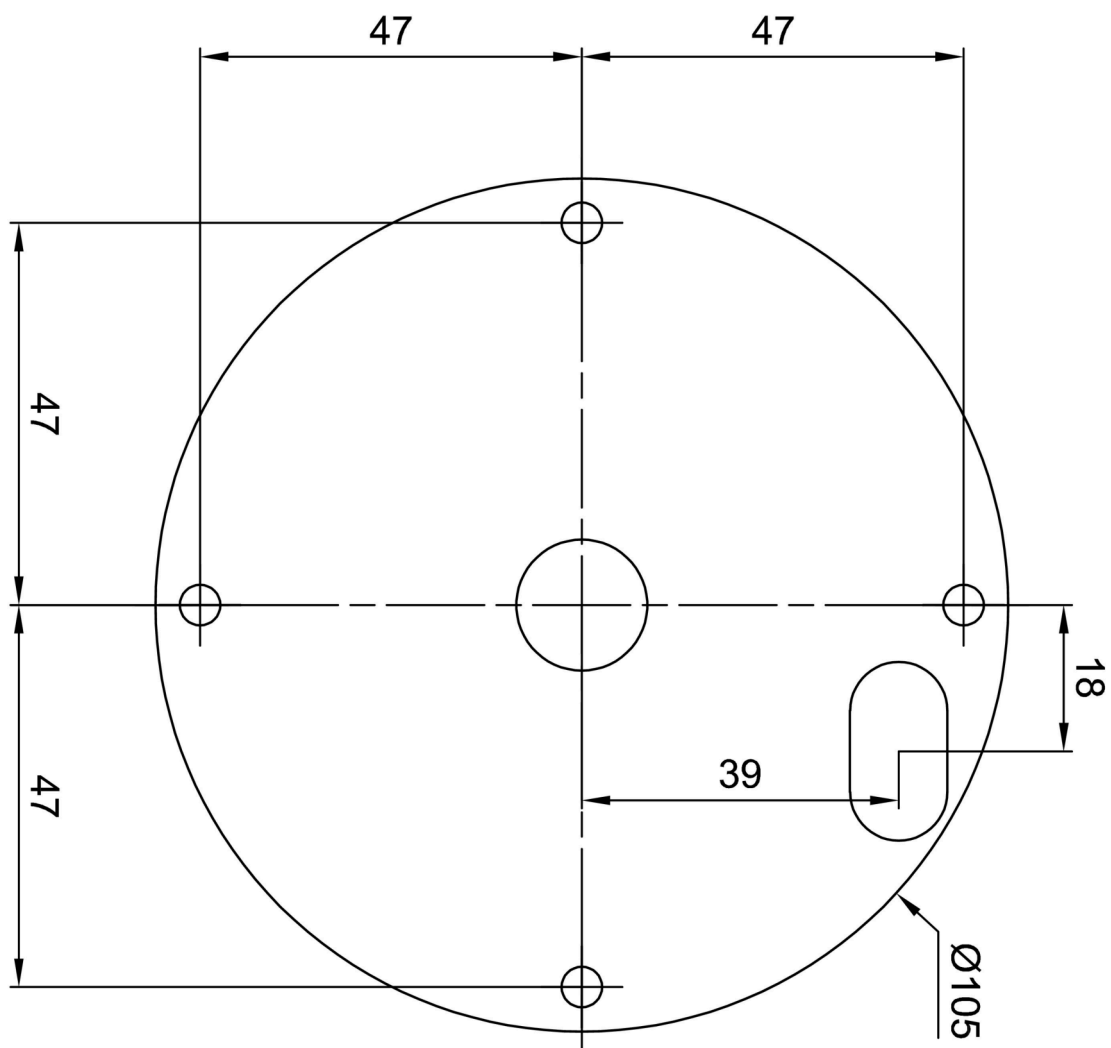


Logistic

EAN	8591728063443
Weight NTTO	2.1 Kg
Weight BTTO	2.4 Kg
Number of cartons	1 pcs
Package volume	0.05 m ³
Package 1 width	0.47 m
Package 1 length	0.46 m
Package 1 height	0.23 m
Warranty*	60 months

*The warranty for the batteries is valid for 12 months from the date of purchase.

Installation dimensions:



Additional assortment:

Lampshade

Product code	Name	Color	Description	Picture	Drawing
20038	092	white	příslušenství		