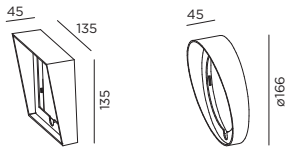


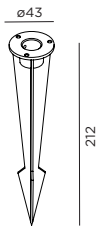
X-BEAM

INSTALLATION INSTRUCTIONS | MAY 2024

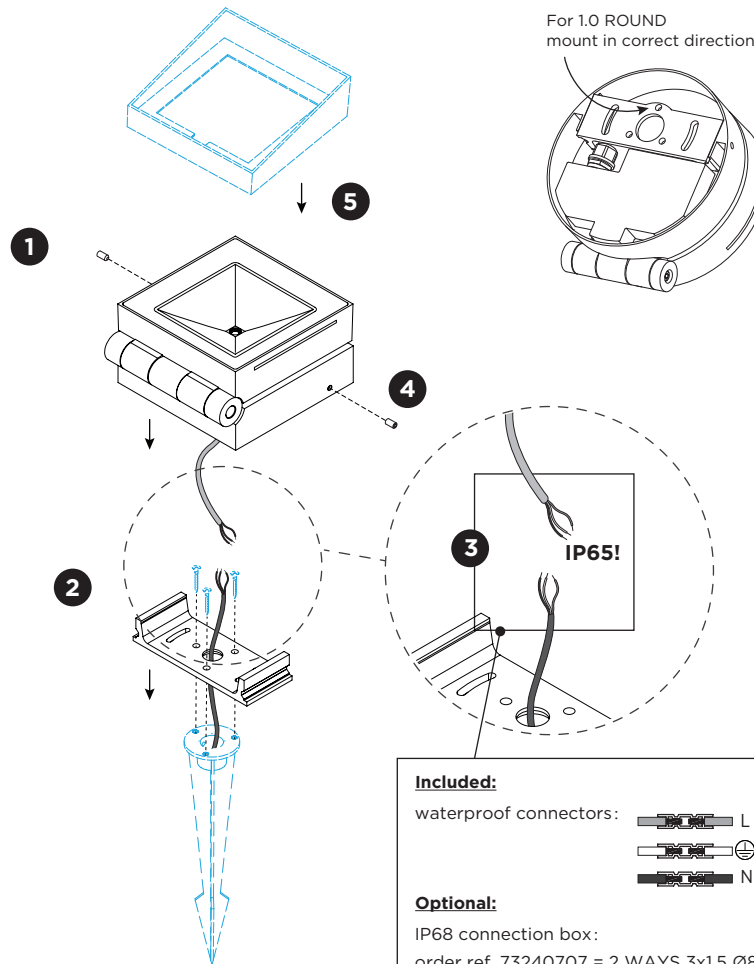
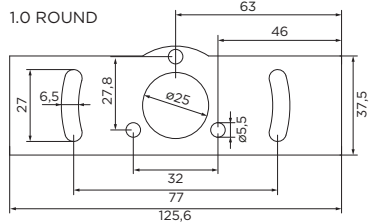
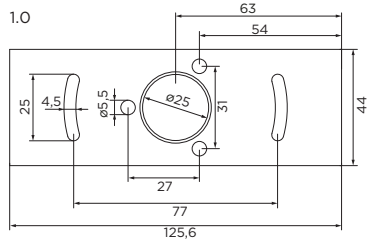
snoot dimensions - optional



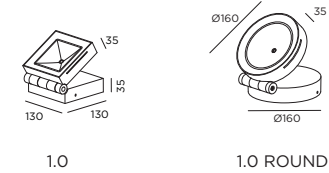
groundspike dimensions - optional



base plate dimensions



DIMENSIONS



MOUNTING INSTRUCTION

- 1** Remove the base plate by loosening the side screws.
- 2** Fix the base plate to the ground or wall with screws (screws are not included).

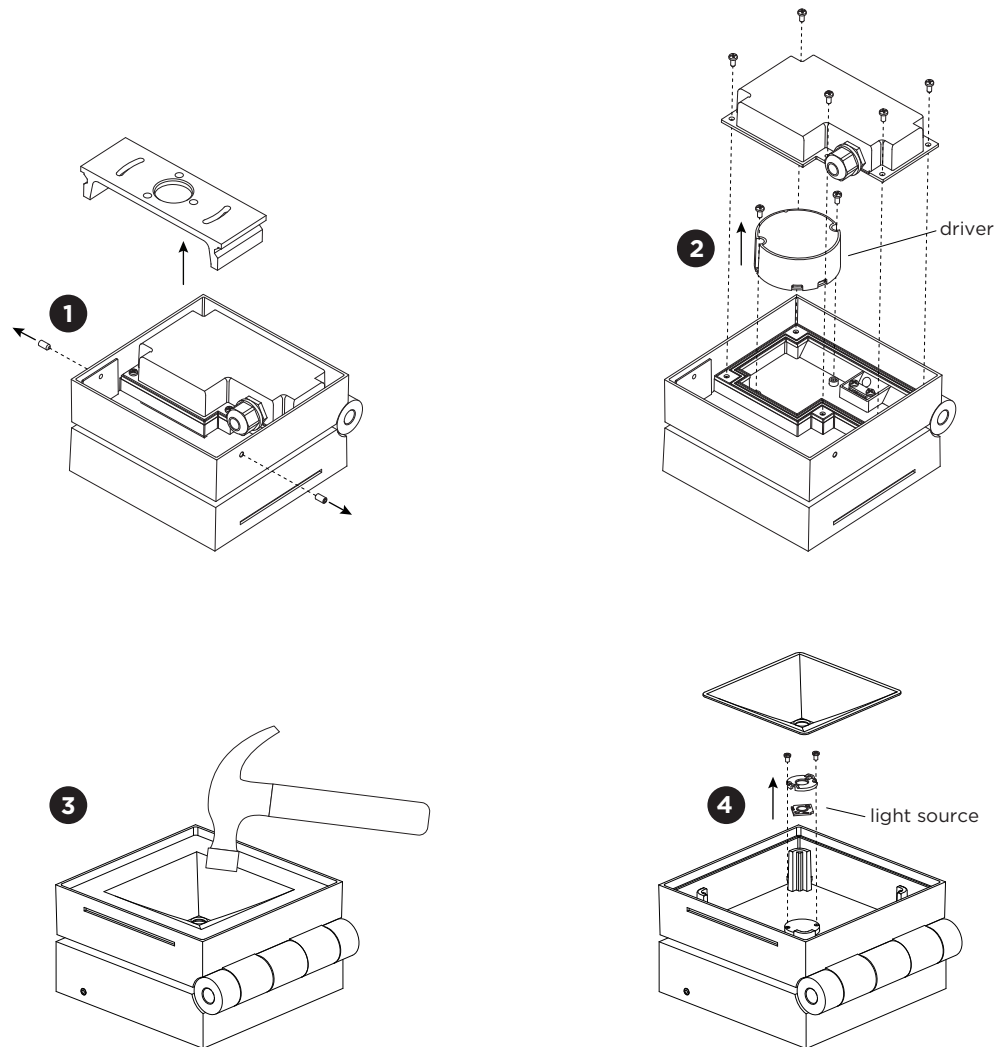
OPTIONAL

Fix the base plate to the groundspike with screws (screws are included).

- 3** **POWER CONNECTION**
Connect the wires with the waterproof connectors. Connect to 220-240V. Please see the detail method in the separate instruction sheet.
- 4** Fix the fixture to the base plate with the side screws.
- 5** **OPTIONAL**
Click the snoot on the X-BEAM.

X-BEAM

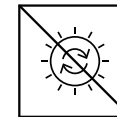
INSTALLATION INSTRUCTIONS | MAY 2024



DISMOUNTING AND RECYCLING INSTRUCTIONS

Light source & driver

- 1** Loosen the side screws and remove the luminaire housing from the mounting base.
- 2** Loosen the screws, remove the cover and loosen the wires to remove the driver.
- 3** Break the glass.
- 4** Take out the reflector and unscrew the light source.



The light source is not replaceable.



The driver can be replaced by the end user.



This luminaire contains a light source with the energy class E.



WEVER & DUCRÉ
LIGHTING

WEVER & DUCRÉ BV

Spinnerijstraat 99/21, 8500 Kortrijk, Belgium
weverducre.com