

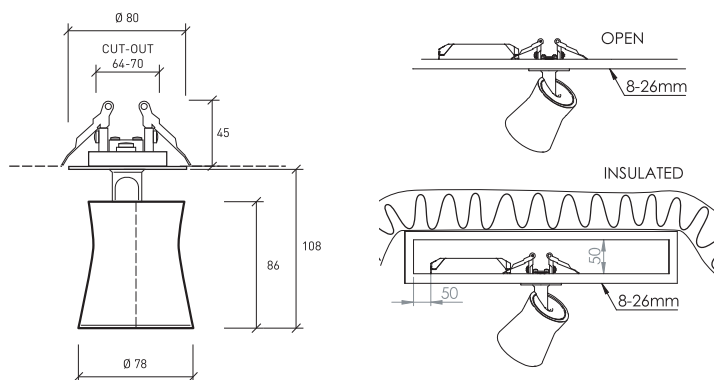
RUNWAY XS-R DIM

“When designing Runway, we took a holistic approach, starting from the effect of lighting by creating a family of both linear lighting - creating general light and spotlights - creating accent lighting. Tying it all together with the golden proportions, curvatures and connectivity. Design worthy the attention of a fashion runway.”

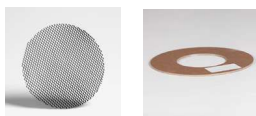
Semi-recessed LED-spotlight.
 Die cast aluminium body, powder coat painted.
 Integral heatsink.
 Low ripple output current <4% to assure camera and scanner friendly performance.
 Rotation 360°. Vertical adjustment +/- 90°.
 Semi-recessed including electronic driver.



Class of protection	IP20, class I
Colours	White, black
Weight total	400g
Reflector	High purity aluminium reflector
Lifetime LED	100 000h L90/B50 at Ta 25°C
Driver h/max failure	50 000h/10% at Ta 25°C
Mounting	3-circuit universal driver-adapter
Voltage	220-240V 50/60hz
Qty/MCB 16A type B	Max 48pcs
Ripple out. current	< 4%. Flicker-free performance
Colour consistency	2 SDCM
Photobiological safety	RG1
Design	Jesper Ståhl
Dimming	Phase-Cut 100-20%



- White
- Black



Accessories

Honeycomb louvre	223091
Mounting plate dia 175/70mm	224092

RUNWAY XS-R DIM



Description	Reflector	CCT (K)	CRI	Lumen	Load	Lumen	Lm/W	○ White	● Black																																	
LIGHTSOURCE					LUMINAIRE			ART. No.																																		
WARM WHITE 3000K (930)																																										
RUNWAY XS-R DIM 1100lm ME 930	Medium 25°	3000K	92	1390	10W	1225	118	224111	224115																																	
RUNWAY XS-R DIM 1100lm FL 930	Flood 40°	3000K	92	1390	10W	1225	118	224112	224116																																	
<table border="1"> <thead> <tr> <th colspan="3">Medium 25°</th> <th colspan="3">Flood 40°</th> </tr> <tr> <th>m</th> <th>∅</th> <th>Lux</th> <th>m</th> <th>∅</th> <th>Lux</th> </tr> </thead> <tbody> <tr> <td>1</td> <td>0,44</td> <td>4821</td> <td>1</td> <td>0,70</td> <td>2628</td> </tr> <tr> <td>2</td> <td>0,88</td> <td>1205</td> <td>2</td> <td>1,41</td> <td>657</td> </tr> <tr> <td>3</td> <td>1,32</td> <td>536</td> <td>3</td> <td>2,11</td> <td>292</td> </tr> <tr> <td>4</td> <td>1,76</td> <td>301</td> <td>4</td> <td>2,81</td> <td>164</td> </tr> </tbody> </table>		Medium 25°			Flood 40°			m	∅	Lux	m	∅	Lux	1	0,44	4821	1	0,70	2628	2	0,88	1205	2	1,41	657	3	1,32	536	3	2,11	292	4	1,76	301	4	2,81	164	<p>3000K 930 Spectral power distributions</p>				
Medium 25°			Flood 40°																																							
m	∅	Lux	m	∅	Lux																																					
1	0,44	4821	1	0,70	2628																																					
2	0,88	1205	2	1,41	657																																					
3	1,32	536	3	2,11	292																																					
4	1,76	301	4	2,81	164																																					
NEUTRAL WHITE 4000K (940)																																										
RUNWAY XS-R DIM 1100lm ME 940	Medium 25°	4000K	92	1450	10W	1275	123	224151	224155																																	
RUNWAY XS-R DIM 1100lm FL 940	Flood 40°	4000K	92	1450	10W	1275	123	224152	224156																																	
<table border="1"> <thead> <tr> <th colspan="3">Medium 25°</th> <th colspan="3">Flood 40°</th> </tr> <tr> <th>m</th> <th>∅</th> <th>Lux</th> <th>m</th> <th>∅</th> <th>Lux</th> </tr> </thead> <tbody> <tr> <td>1</td> <td>0,44</td> <td>5026</td> <td>1</td> <td>0,70</td> <td>2739</td> </tr> <tr> <td>2</td> <td>0,88</td> <td>1256</td> <td>2</td> <td>1,41</td> <td>685</td> </tr> <tr> <td>3</td> <td>1,32</td> <td>558</td> <td>3</td> <td>2,11</td> <td>304</td> </tr> <tr> <td>4</td> <td>1,76</td> <td>314</td> <td>4</td> <td>2,81</td> <td>171</td> </tr> </tbody> </table>		Medium 25°			Flood 40°			m	∅	Lux	m	∅	Lux	1	0,44	5026	1	0,70	2739	2	0,88	1256	2	1,41	685	3	1,32	558	3	2,11	304	4	1,76	314	4	2,81	171	<p>4000K 940 Spectral power distributions</p>				
Medium 25°			Flood 40°																																							
m	∅	Lux	m	∅	Lux																																					
1	0,44	5026	1	0,70	2739																																					
2	0,88	1256	2	1,41	685																																					
3	1,32	558	3	2,11	304																																					
4	1,76	314	4	2,81	171																																					
WARM WHITE 2700K (927)																																										
RUNWAY XS-R DIM 1100lm ME 927	Medium 25°	2700K	92	1330	10W	1170	113	224121	224125																																	
SIDECAR XS-R DIM 1100lm FL 927	Flood 40°	2700K	92	1330	10W	1170	113	224122	224126																																	
<table border="1"> <thead> <tr> <th colspan="3">Medium 25°</th> <th colspan="3">Flood 40°</th> </tr> <tr> <th>m</th> <th>∅</th> <th>Lux</th> <th>m</th> <th>∅</th> <th>Lux</th> </tr> </thead> <tbody> <tr> <td>1</td> <td>0,44</td> <td>4624</td> <td>1</td> <td>0,70</td> <td>2520</td> </tr> <tr> <td>2</td> <td>0,88</td> <td>1156</td> <td>2</td> <td>1,41</td> <td>630</td> </tr> <tr> <td>3</td> <td>1,32</td> <td>514</td> <td>3</td> <td>2,11</td> <td>280</td> </tr> <tr> <td>4</td> <td>1,76</td> <td>289</td> <td>4</td> <td>2,81</td> <td>158</td> </tr> </tbody> </table>		Medium 25°			Flood 40°			m	∅	Lux	m	∅	Lux	1	0,44	4624	1	0,70	2520	2	0,88	1156	2	1,41	630	3	1,32	514	3	2,11	280	4	1,76	289	4	2,81	158	<p>2700K 927 Spectral power distributions</p>				
Medium 25°			Flood 40°																																							
m	∅	Lux	m	∅	Lux																																					
1	0,44	4624	1	0,70	2520																																					
2	0,88	1156	2	1,41	630																																					
3	1,32	514	3	2,11	280																																					
4	1,76	289	4	2,81	158																																					

Luminous flux and connected electrical load are subject to an initial tolerance of +/- 5%. Tolerance of colour temperature: +/-150 K. Tolerance of CRI +/- 1,5. Values apply to an ambient temperature of 25°C.