

RUNWAY XS DALI

"When designing Runway, we took a holistic approach, starting from the effect of lighting by creating a family of both linear lighting - creating general light and spotlights - creating accent lighting. Tying it all together with the golden proportions, curvatures and connectivity. Design worthy the attention of a fashion runway."

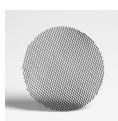
LED-spotlight with passive cooling system.
Dimmable by DALI.
Die cast aluminium body, powder coat painted.
Integral heatsink. Premium in-track driver.
Low ripple output current <4% to assure camera and scanner friendly performance.
Rotation 355°. Vertical adjustment +/- 90°.
Track mounted with GAC Pulse driver-adapter.



Class of protection	IP20, class I
Colours	White, black
Weight total	400g
Reflector	High purity MIRO segmented
Lifetime LED	100 000h L90/B50 at Ta 25°C
Driver h/max failure	50 000h/10% at Ta 25°C
Mounting	Driver-adapter for Pulse track
Voltage	220-240V 50/60hz
Qty/MCB 16A type B	Max 48pcs
Ripple out. current	< 4%. Flicker-free performance
Colour consistency	2 SDCM
Photobiological safety	RG1
Design	Jesper Ståhl
Dimming 100-1%	DALI

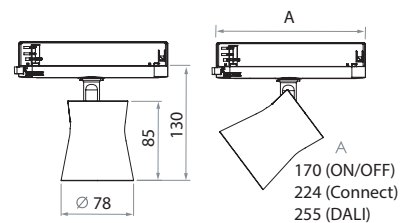


- White
- Black



Accessories

Honeycomb louvre **223091**



RUNWAY XS DALI



Description	Reflector	CCT (K)	CRI	Lumen	Load	Lumen	Lm/W	ART. No.																																				
								○ White	● Black																																			
LIGHTSOURCE					LUMINAIRE			ART. No.																																				
WARM WHITE 3000K (930)																																												
RUNWAY XS DALI 1100lm ME 930	Medium 25°	3000K	92	1390	10W	1225	118	223511	223515																																			
RUNWAY XS DALI 1100lm FL 930	Flood 40°	3000K	92	1390	10W	1225	118	223512	223516																																			
<table border="1"> <thead> <tr> <th colspan="3">Medium 25°</th> <th colspan="3">Flood 40°</th> </tr> <tr> <th>m</th> <th>∅</th> <th>Lux</th> <th>m</th> <th>∅</th> <th>Lux</th> </tr> </thead> <tbody> <tr> <td>1</td> <td>0,44</td> <td>4821</td> <td>1</td> <td>0,70</td> <td>2628</td> </tr> <tr> <td>2</td> <td>0,88</td> <td>1205</td> <td>2</td> <td>1,41</td> <td>657</td> </tr> <tr> <td>3</td> <td>1,32</td> <td>536</td> <td>3</td> <td>2,11</td> <td>292</td> </tr> <tr> <td>4</td> <td>1,76</td> <td>301</td> <td>4</td> <td>2,81</td> <td>164</td> </tr> </tbody> </table>		Medium 25°			Flood 40°			m	∅	Lux	m	∅	Lux	1	0,44	4821	1	0,70	2628	2	0,88	1205	2	1,41	657	3	1,32	536	3	2,11	292	4	1,76	301	4	2,81	164	<p>3000K 930 Spectral power distributions</p>						
Medium 25°			Flood 40°																																									
m	∅	Lux	m	∅	Lux																																							
1	0,44	4821	1	0,70	2628																																							
2	0,88	1205	2	1,41	657																																							
3	1,32	536	3	2,11	292																																							
4	1,76	301	4	2,81	164																																							
NEUTRAL WHITE 4000K (940)																																												
RUNWAY XS DALI 1100lm ME 940	Medium 25°	4000K	92	1450	10W	1275	123	223551	223555																																			
RUNWAY XS DALI 1100lm FL 940	Flood 40°	4000K	92	1450	10W	1275	123	223552	223556																																			
<table border="1"> <thead> <tr> <th colspan="3">Medium 25°</th> <th colspan="3">Flood 40°</th> </tr> <tr> <th>m</th> <th>∅</th> <th>Lux</th> <th>m</th> <th>∅</th> <th>Lux</th> </tr> </thead> <tbody> <tr> <td>1</td> <td>0,44</td> <td>5026</td> <td>1</td> <td>0,70</td> <td>2739</td> </tr> <tr> <td>2</td> <td>0,88</td> <td>1256</td> <td>2</td> <td>1,41</td> <td>685</td> </tr> <tr> <td>3</td> <td>1,32</td> <td>558</td> <td>3</td> <td>2,11</td> <td>304</td> </tr> <tr> <td>4</td> <td>1,76</td> <td>314</td> <td>4</td> <td>2,81</td> <td>171</td> </tr> </tbody> </table>		Medium 25°			Flood 40°			m	∅	Lux	m	∅	Lux	1	0,44	5026	1	0,70	2739	2	0,88	1256	2	1,41	685	3	1,32	558	3	2,11	304	4	1,76	314	4	2,81	171	<p>4000K 940 Spectral power distributions</p>						
Medium 25°			Flood 40°																																									
m	∅	Lux	m	∅	Lux																																							
1	0,44	5026	1	0,70	2739																																							
2	0,88	1256	2	1,41	685																																							
3	1,32	558	3	2,11	304																																							
4	1,76	314	4	2,81	171																																							
WARM WHITE 2700K (927)																																												
RUNWAY XS DALI 1100lm ME 927	Medium 25°	2700K	92	1330	10W	1170	113	223521	223525																																			
SIDECAR XS DALI 1100lm FL 927	Flood 40°	2700K	92	1330	10W	1170	113	223522	223526																																			
<table border="1"> <thead> <tr> <th colspan="3">Medium 25°</th> <th colspan="3">Flood 40°</th> </tr> <tr> <th>m</th> <th>∅</th> <th>Lux</th> <th>m</th> <th>∅</th> <th>Lux</th> </tr> </thead> <tbody> <tr> <td>1</td> <td>0,44</td> <td>4624</td> <td>1</td> <td>0,70</td> <td>2520</td> </tr> <tr> <td>2</td> <td>0,88</td> <td>1156</td> <td>2</td> <td>1,41</td> <td>630</td> </tr> <tr> <td>3</td> <td>1,32</td> <td>514</td> <td>3</td> <td>2,11</td> <td>280</td> </tr> <tr> <td>4</td> <td>1,76</td> <td>289</td> <td>4</td> <td>2,81</td> <td>158</td> </tr> </tbody> </table>		Medium 25°			Flood 40°			m	∅	Lux	m	∅	Lux	1	0,44	4624	1	0,70	2520	2	0,88	1156	2	1,41	630	3	1,32	514	3	2,11	280	4	1,76	289	4	2,81	158	<p>2700K 927 Spectral power distributions</p>						
Medium 25°			Flood 40°																																									
m	∅	Lux	m	∅	Lux																																							
1	0,44	4624	1	0,70	2520																																							
2	0,88	1156	2	1,41	630																																							
3	1,32	514	3	2,11	280																																							
4	1,76	289	4	2,81	158																																							

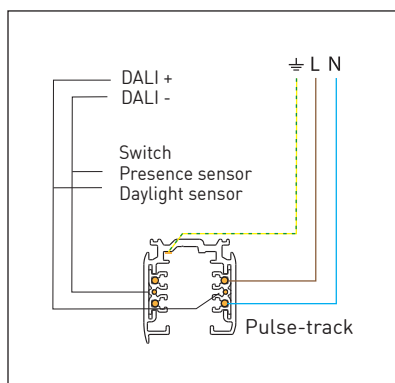
Luminous flux and connected electrical load are subject to an initial tolerance of +/- 5%. Tolerance of colour temperature: +/-150 K. Tolerance of CRI +/- 1,5. Values apply to an ambient temperature of 25°C.

DALI - Dimming & Control

RUNWAY S DALI is equipped with control adapter for Global Pulse Tracks. Dimmable 100-1% by either DALI or DALI-dimmer.

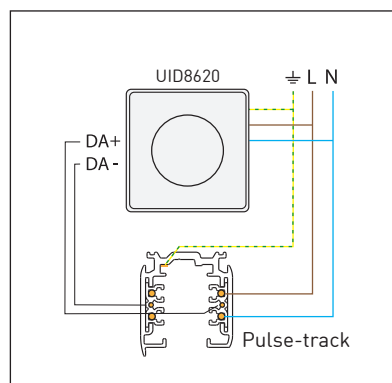
The DALI lighting control system delivers unparalleled performance, maximum control, flexibility and increased energy savings.

Dimmer UID8620 offers easy installation and maintenance. Wiring is simple and installation costs are lower.



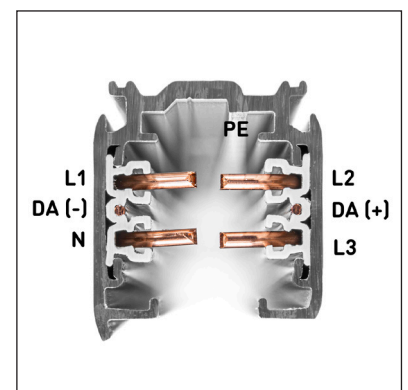
DALI LIGHTING CONTROL SYSTEM

The DALI lighting control system delivers maximum control, flexibility and increased energy savings. DALI can control a single light fitting or a defined group of fittings. Different scenes and lightlevels may be set. The DALI specification allows for a maximum of 64 luminaires per network, which can be broken up to 16 different groups, each with its own lighting scene. DALI is an industry standard protocol that allows DALI-compliant components from different manufacturers to be mixed and matched together seamlessly into complete systems.



DALI Dimmer

DALI compliant dimmers offers easy installation. Generally applicable for indoor lighting control with DALI compliant devices. Brightness is controlled in broadcast mode so all connected devices will react simultaneously. Dimming level 100-1%. Preset levels can be set. Maximum 32 DALI-loads may be connected to one UID 8620.



Global Pulse

3-circuit 16A mains voltage track system with additional control signals. Lystra DALI tracklights are equipped with GAC Pulse-adapter and may be controlled via DALI or with DALI-dimmer. (For example Philips UID 8620, Schneider Exxact DALI or Osram MCU).