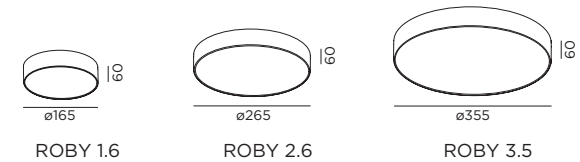


DIMENSIONS

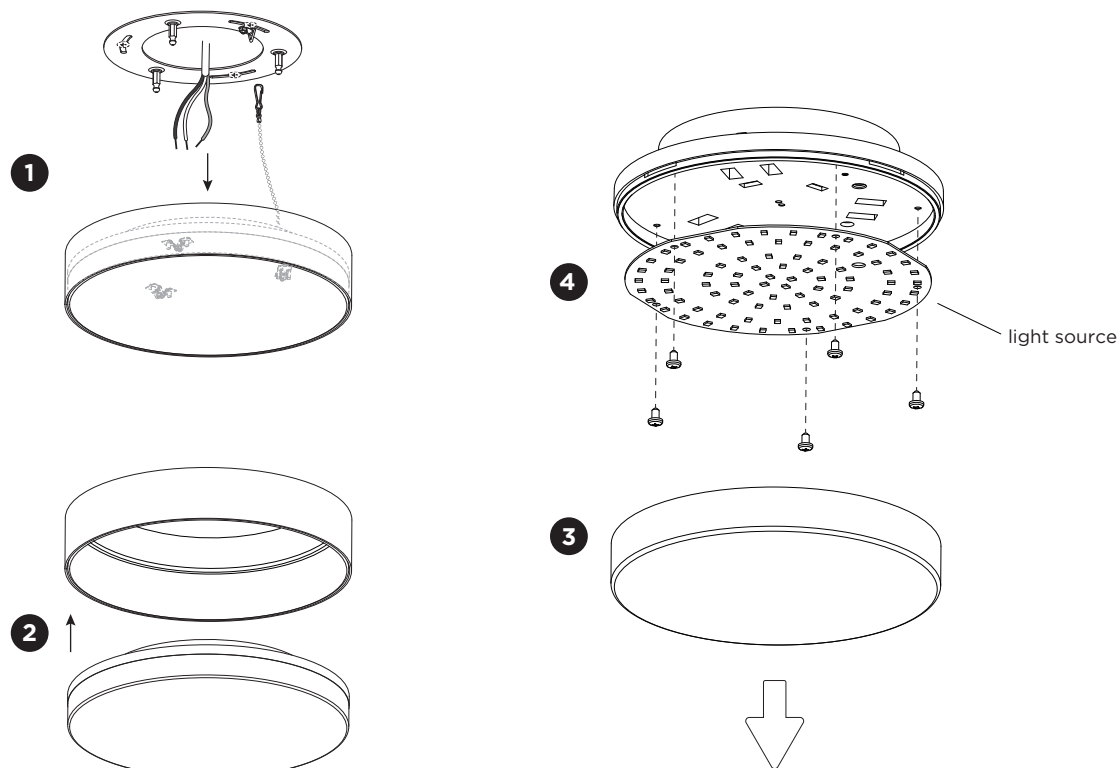


MOUNTING INSTRUCTION

- 1** Remove the mounting base from the luminaire by pulling.
 - 2** Disconnect the fall protection chain.
 - 3** Mount the base on the ceiling with screws (screws are not included).
 - 4** Put the ROBY cover on top of the fixture from the backside.
 - 5** POWER CONNECTION
Connect to 220-240V.
-
- 6** Connect the fall protection chain back to the mounting base.
 - 7** Attach the luminaire to the mounting base by pushing and clicking the 3 pins into the clips.

ROBY

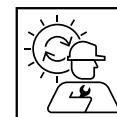
INSTALLATION INSTRUCTIONS | DECEMBER 2022



DISMOUNTING AND RECYCLING INSTRUCTIONS

Light source

- 1** Pull the fixture from the ceiling and loosen the wires and chain.
- 2** Remove the cover from the luminaire.
- 3** Pull off the diffuser.
- 4** Unscrew the light source and loosen the wires to remove it.



The light source is replaceable by an authorized professional.
For advice contact your Wever & Ducré customer service contact point.



This luminaire contains a light source with the energy class E.