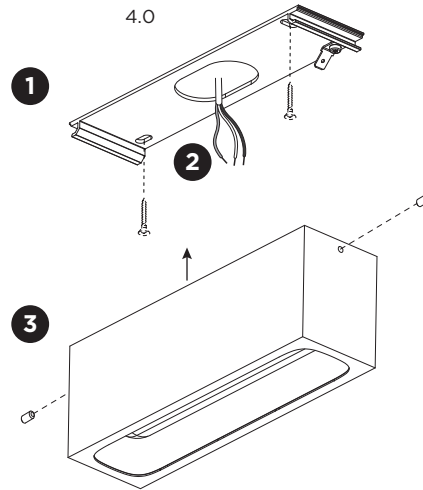
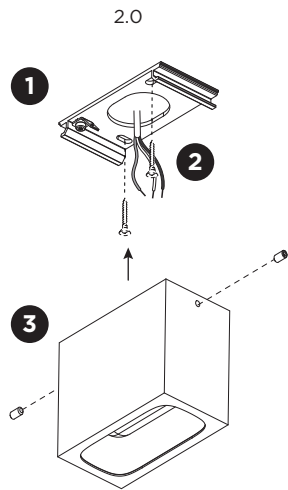
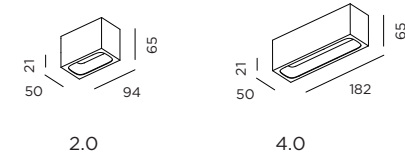


PIRRO OPAL SURFACE

INSTALLATION INSTRUCTIONS | APRIL 2023



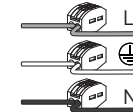
DIMENSIONS



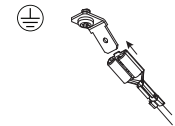
MOUNTING INSTRUCTION

- 1 Remove the mounting base from the luminaire by loosening the socket screws and mount it on the ceiling with screws (screws are not included).

- 2 **POWER CONNECTION**
Connect to 220-240V.

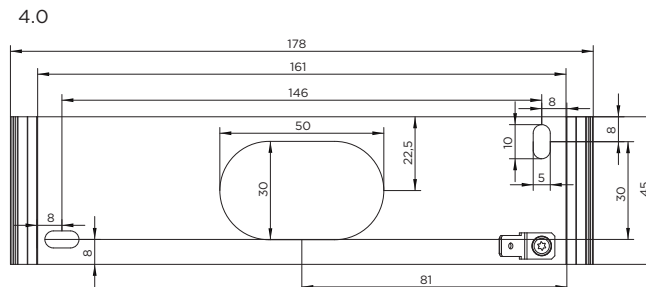
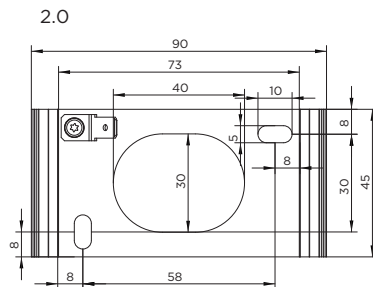


Connect the ceiling base earth cable.



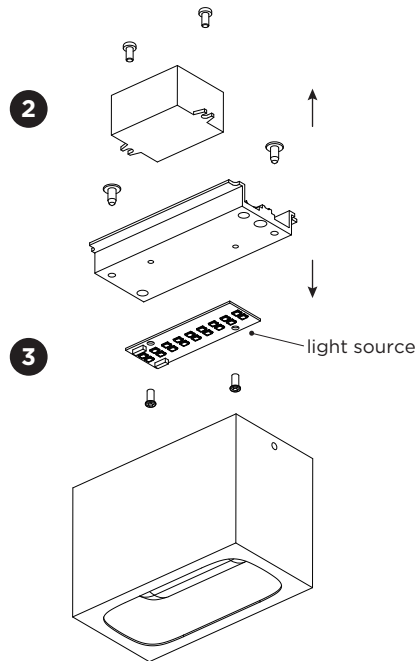
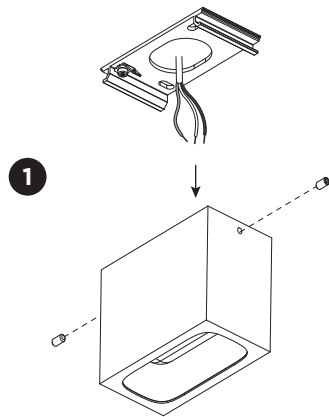
- 3 Fix the luminaire on the base with the socket screws.

Mounting base:



PIRRO OPAL SURFACE

INSTALLATION INSTRUCTIONS | APRIL 2023



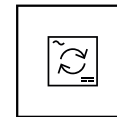
DISMOUNTING AND RECYCLING INSTRUCTIONS

Light source & driver

- 1 Unscrew the socket screws on the sides, disconnect the wires and pull down the luminaire.
- 2 Unscrew the driver to remove it.
- 3 Unscrew the heatsink and light source to remove it.



The light source is replaceable by an authorized professional.
For advice contact your Wever & Ducré customer service contact point.



The driver can be replaced by the end user.



This luminaire contains a light source with the energy class F.