

KUMA LE3

LED-5L76E1050ZLE/437/L100 B 4K##

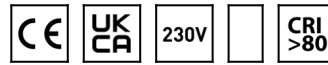
WWW.OSMONT.CZ

KUMA LE3

Product code: KUM70985

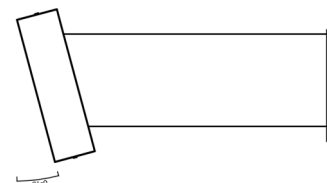
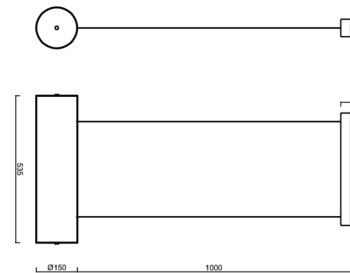
Type: LED-5L76E1050ZLE/437/L100 B 4K##

Short description of the luminaire: White colour | pendant LED light ON/OFF | TRIPLEX OPAL hand blown glass shade| steel wire pendant (SELV, cableless) 100 cm |



Technical data

Types of luminaires	Classic on/off
Mounting type	Suspended - SELV wire (cableless)
Base material	steel
Shade material	three-layer glass TRIPLEX OPAL
Base color	white Ra9003
Shade color	white
Holding the shade	folding system
Mounting location	ceiling
Width	150 mm
Length	150 mm
Height	535 mm
Diameter	ø 150 mm
Suspension length	1000 mm
mounting holes (diameter)	2xø5mm
Cable entrance	1xø14mm
Energy Class	D
Impact strength	IK01
Operating temperature	from -20°C to +30°C

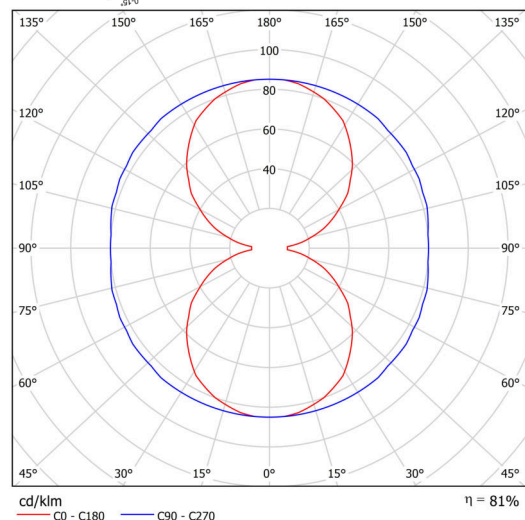


Electrical data

Power consumption	31 W
Ingress Protection	IP20
Socket	LED modul
terminal block	snap terminal block
Automatic circuit breaker type B10A	35 pcs
Automatic circuit breaker type B16A	65 pcs
Automatic circuit breaker type C10A	35 pcs
Automatic circuit breaker type C16A	65 pcs
Spínací proud	10 A / 100 sec

Luminous data

Lum. flux of luminaire	4740 lm
Lum. flux of light source	5450 lm
Luminaire efficacy	152 lm/W
Chromaticity temperature	4000 K
Rated life time LED L80/B10	100000 hours
CRI	Ra80
MacAdam	3
Blue light hazard	Risk group 0



TECHNICAL SHEET



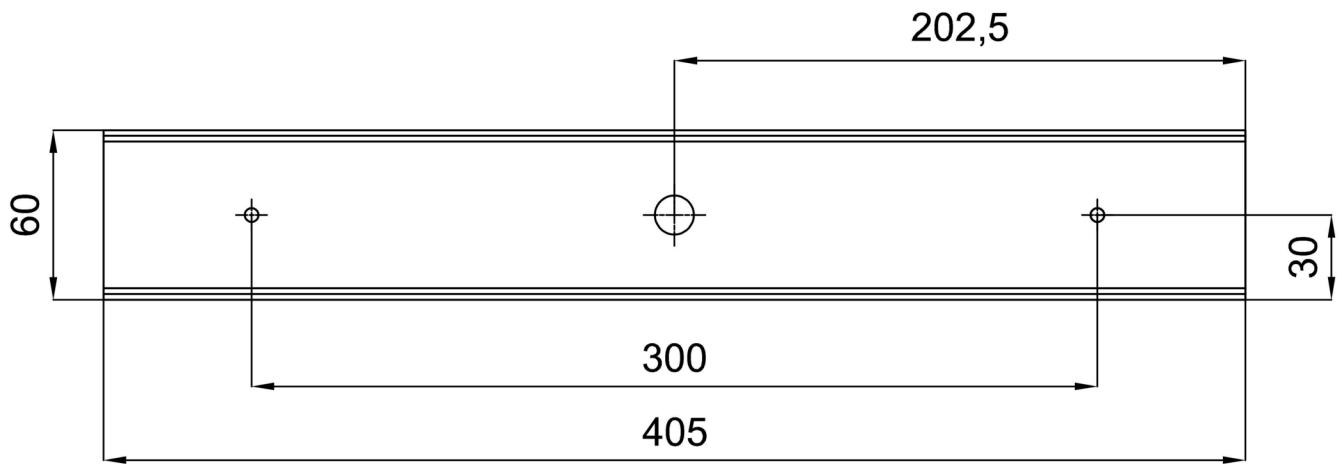
Eulum data for calculation programs are available at www.osmont.cz.

Logistical data

EAN	8591728138776
Weight NTTO	3.9 Kg
Weight BTTO	4.1 Kg
Number of cartons	1 pcs
Package 1 width	0.24 m
Package 1 length	0.57 m
Package 1 height	0.17 m
Warranty*	60 months

*The warranty for the batteries is valid for 36 months from the date of purchase.

Installation dimensions:



Additional assortment:

Lampshade

Product code	Name	Color	Picture	Drawing
20139	437	white	