



## FLORA 4

---

LED-1L26E700DU14/127 C 4K#

[WWW.OSMONT.CZ](http://WWW.OSMONT.CZ)

# FLORA 4

Product code: FL067783

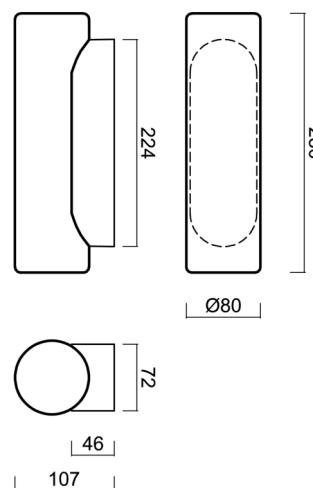
Type: LED-1L26E700DU14/127 C 4K#

Short description of the luminaire: Black colour | ceiling or wall LED light ON/OFF | TRIPLEX OPAL hand blown glass shade|



## Technical data

Types of luminaires	Classic on/off
Mounting type	surface mounted
Base material	polycarbonate
Shade material	three-layer glass TRIPLEX OPAL
Base color	black Ral9005
Shade color	white
Holding the shade	folding system
Mounting location	ceiling/wall
Width	280 mm
Length	80 mm
Height	107 mm
mounting holes (diameter)	4xØ5mm
Cable entrance	1xØ14mm
Energy Class	D
Impact strength	IK01
Operating temperature	from -20°C to +30°C

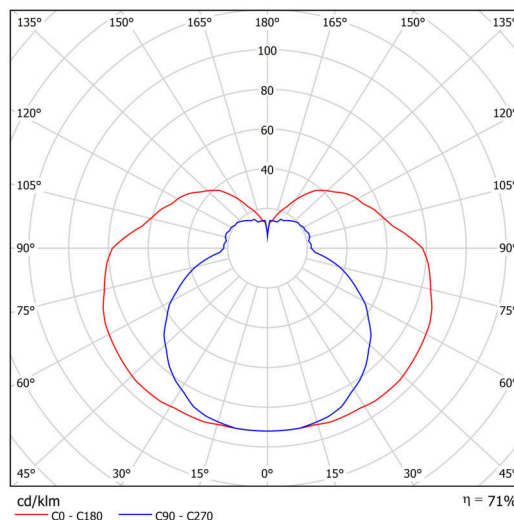


## Electrical data

Power consumption	7 W
Coverage class	II
Ingress Protection	IP43
Socket	LED modul
terminal block	screw terminal block
Automatic circuit breaker type B10A	50 pcs
Automatic circuit breaker type B16A	78 pcs
Automatic circuit breaker type C10A	84 pcs
Automatic circuit breaker type C16A	130 pcs
Spínací proud	15 A / 100 sec

## Luminous data

Lum. flux of luminaire	750 lm
Lum. flux of light source	1050 lm
Luminaire efficacy	107 lm/W
Chromaticity temperature	4000 K
Rated life time LED L80/B10	100000 hours
CRI	Ra80
MacAdam	3
Blue light hazard	Risk group 0



Eulum data for calculation programs are available at [www.osmont.cz](http://www.osmont.cz).

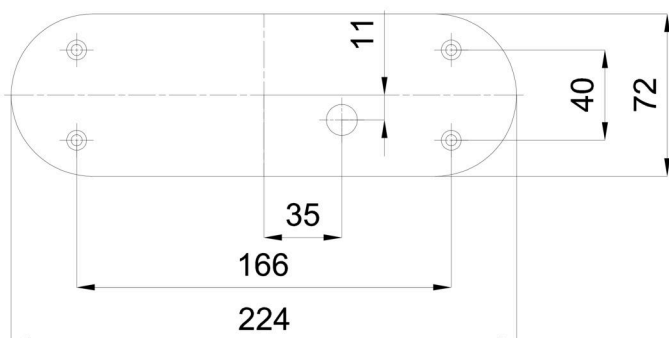
## TECHNICAL SHEET

### Logistical data

EAN	8591728121310
Weight NTTO	1 Kg
Weight BTTO	1.1 Kg
Number of cartons	1 pcs
Package volume	0.004 m <sup>3</sup>
Package 1 width	0.35 m
Package 1 length	0.09 m
Package 1 height	0.115 m
Warranty*	60 months

*\*The warranty for the batteries is valid for 36 months from the date of purchase.*

### Installation dimensions:



Additional assortment:

Lampshade

Product code	Name	Color	Picture	Drawing
20031	127	white	