



# CORVUS 1

---

LED-1L17EXMP700KN73/PC42 4K#

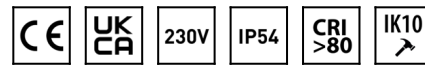
[WWW.OSMONT.CZ](http://WWW.OSMONT.CZ)

# CORVUS 1

Product code: COR71550

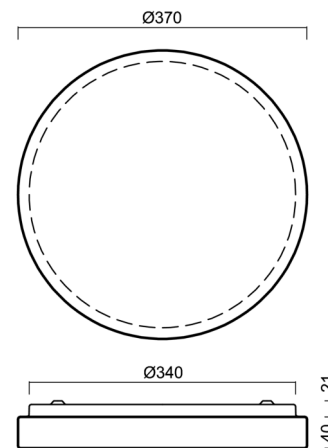
Type: LED-1L17EXMP700KN73/PC42 4K#

Short description of the luminaire: White colour | ceiling or wall LED light ON/OFF | opal polycarbonate shade (PC)



## Technical data

Types of luminaires	Classic on/off
Mounting type	surface mounted
Base material	steel
Shade material	opal polycarbonate
Base color	white Ral9003
Shade color	white
Holding the shade	folding system
Mounting location	ceiling/wall
Width	370 mm
Length	370 mm
Height	61 mm
Diameter	ø 370 mm
mounting holes (diameter)	3xø5mm
Cable entrance	2xø16mm
Energy Class	D
Impact strength	IK10
Operating temperature	from -20°C to +30°C

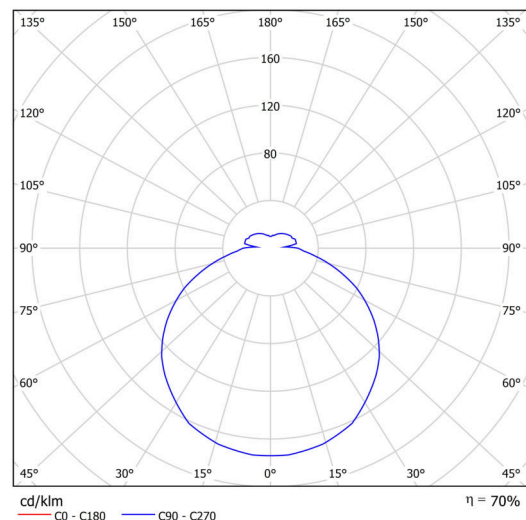


## Electrical data

Power consumption	26 W
Ingress Protection	IP54
Socket	LED modul
terminal block	snap terminal block
Automatic circuit breaker type B10A	37 pcs
Automatic circuit breaker type B16A	59 pcs
Automatic circuit breaker type C10A	37 pcs
Automatic circuit breaker type C16A	59 pcs
Spínací proud	15 A / 100 sec

## Luminous data

Lum. flux of luminaire	3060 lm
Lum. flux of light source	4380 lm
Luminaire efficacy	117 lm/W
Chromaticity temperature	4000 K
Rated life time LED L80/B10	100000 hours
CRI	Ra80
MacAdam	3
Blue light hazard	Risk group 0



Eulum data for calculation programs are available at [www.osmont.cz](http://www.osmont.cz).

Multipower

Possibility of output adjustment by the user (DIP switch on the current source).

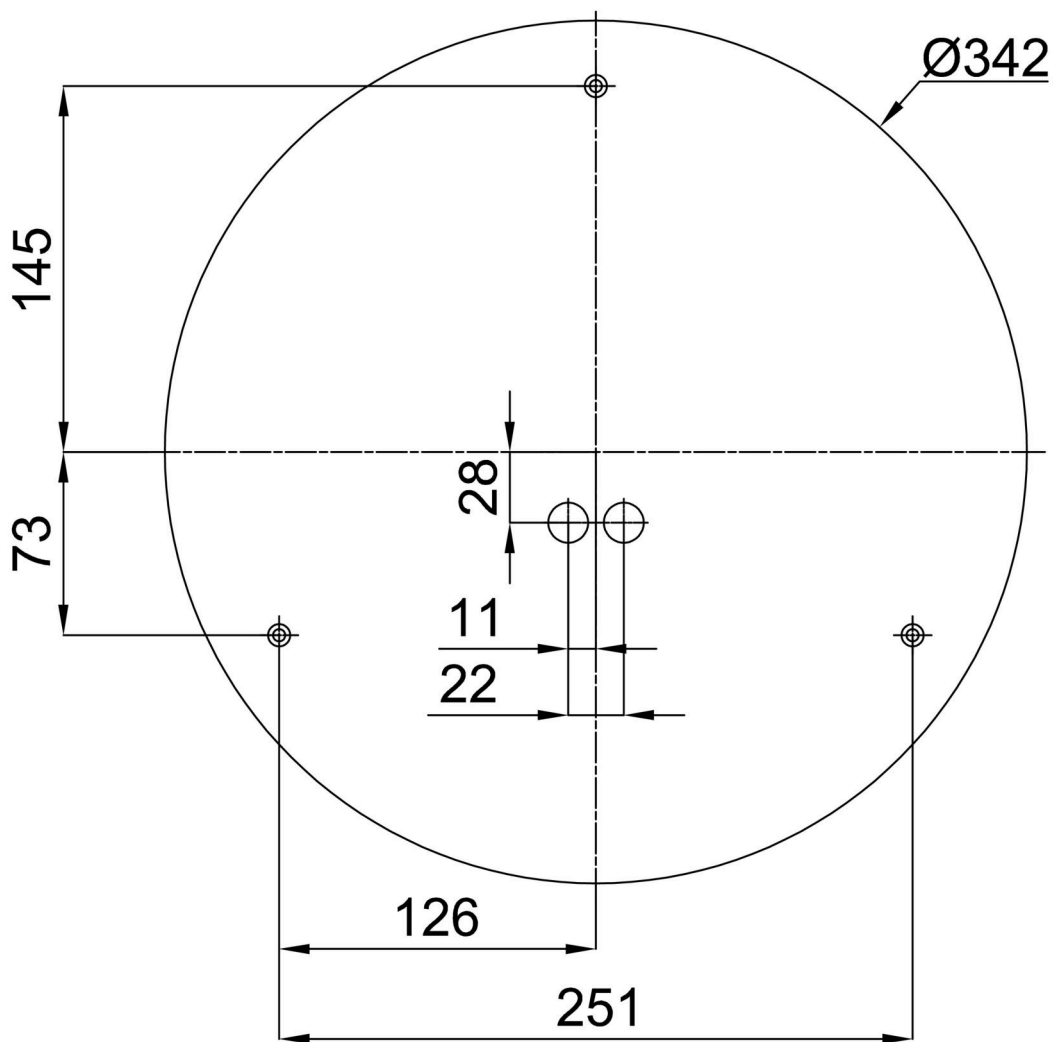
I [mA]	700	650	600	550	500	450	400	
[%]	100	93	86	79	71	64	57	

Logistical data

EAN	8591728072315
Weight NTTO	1 Kg
Weight BTTO	1.2 Kg
Number of cartons	1 pcs
Package volume	0.021 m <sup>3</sup>
Package 1 width	0.37 m
Package 1 length	0.37 m
Package 1 height	0.15 m
Warranty*	60 months

\*The warranty for the batteries is valid for 36 months from the date of purchase.

Installation dimensions:



Additional assortment:

Lampshade

Product code	Name	Color	Picture	Drawing
20613	PC42	white	