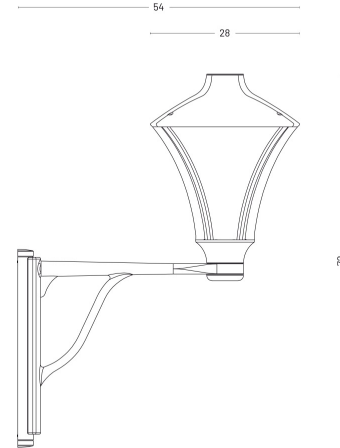


Morphis_2 | 29 W | diffuse | Wall lamps

Technical Specifications

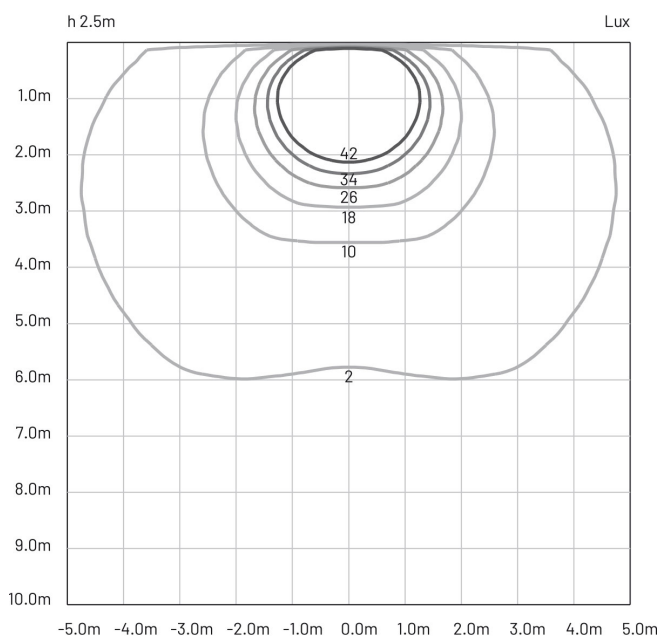
Source lamp	LED 29 W
Total wattage	33
Voltage	220-240 Vac - 50/60 Hz
Control	On/Off (other controls on request)
Luminous flux (*Source flux)	1700 lm (3400 lm*) @ 3000 K
Luminous efficacy	48 lm/W @ 3000 K
Light Temperature	3000 K
McADAM steps	3
Beam	diffuse
CRI	>90
Life time	L80-B15 > 60.000 h Ta 40°C
IP rating	65
IK rating	8
Insulation class	I
Note	Control on request: DALI - 1/10V - DMX - TRIAC Light colour on request 2200 K - RGBW



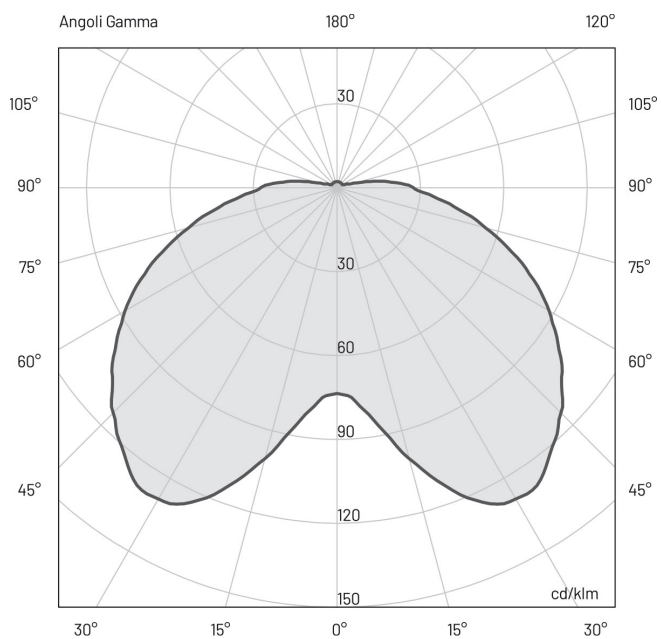
Materials

Body	Die-cast aluminium EN47100
Diffuser	Extra clear polycarbonate
Finishing	Black - Polyester powder paint

Isolux



Photometry



Available accessories

00596

Corner bracket

