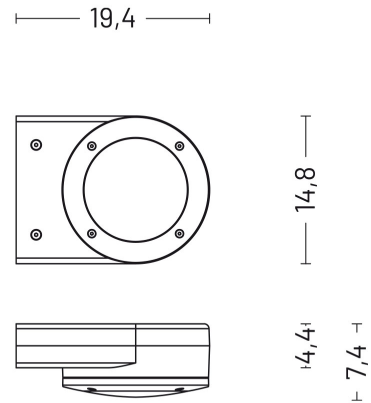


Beam | 18 W | medium 35° | Wall lamps

Technical Specifications

Source lamp	LED 18 W
Total wattage	20
Voltage	220-240 Vac - 50/60 Hz
Control	On/Off (other controls on request)
Luminous flux (*Source flux)	1513 lm (1976 lm*) @ 3000 K
Luminous efficacy	76 lm/W @ 3000 K
Light Temperature	3000 K
McADAM steps	3
Beam	medium 35°
CRI	>90
Life time	L80-B15 > 60.000 h Ta 40°C
IP rating	65
IK rating	8
Insulation class	I
Note	Control on request: DALI - 1/10V - DMX - TRIAC Light control on request: 2200K - 4000K - RGBW



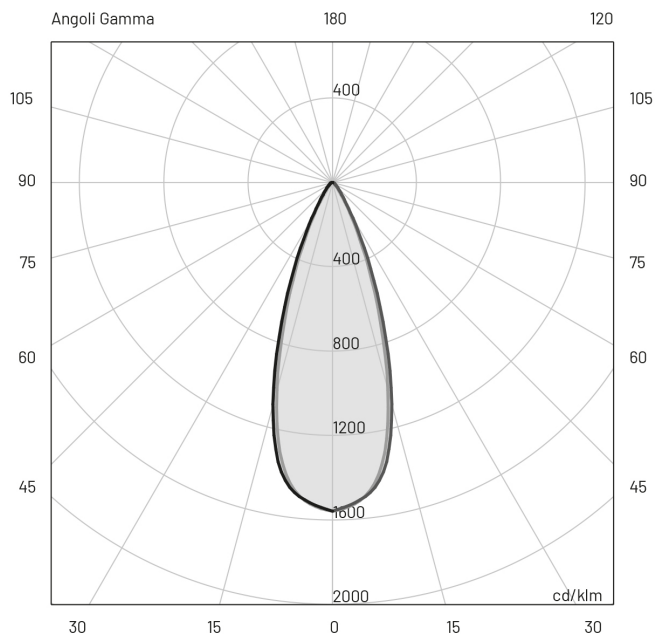
Materials

Body	Die-cast aluminium EN47100
Diffuser	Extra clear polycarbonate
Finishing	Graphite - Polyester powder paint

E (lux)

H(m)	lux @ 3000 K	Ø(m)
1.00	3070	0.3
2.00	770	1.3
3.00	340	2
4.00	190	2.7
5.00	120	3.4

Photometry



Available accessories

0404M004

Single connection IP68

