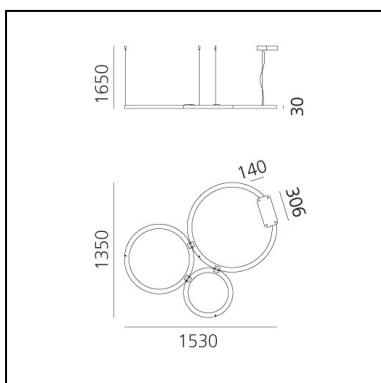


# Ripple - Cluster

BIG - Bjarke Ingels Group



IP20   Dimmable: 



## LUMINAIRE

- Watt: **89W**
- Flux Lumineux (lm): **5806lm**
- CCT: **3000K**
- Efficiency: **50%**
- Efficacy: **65.23lm/W**
- CRI: **90**

## DESCRIPTION

This suspension system shapes the qualities of space through molecular growth, combining light and sound absorption. Comprised of circular structures in three different diameters, it works through layers of performance that can be modulated as required.

The structures unveil "pure" light or can be enriched by a diffuser which, in addition to interacting with the light, offers sound absorption properties.

The basic element of the product is a circular ring whose profile is a synthesis of optics and mechanical engineering. Ripple elements can also be combined in increasingly complex customised solutions: from simple lines or geometries of elements with a constant diameter, to compositions that combine different diameters in a more organic and free growth, through to show-stopping, striking solutions.

Once again, Artemide's project with BIG is guided by a strong idea of interaction with spaces, an open, modular and scalable solution that combines technological innovation with compositional intelligence, translating all this into something apparently simple but striking and full of potential. This freedom of configuration is then mirrored by the flexibility in management granted by interaction with Artemide App.

## CARACTÉRISTIQUES

- Code Produit : **2063010A**
- Couleur: **White**
- Installation: **Suspension**
- Matériaux: **Heat-conducting moulded plastic**
- Séries: **Design Collection**
- Environnement: **Indoor**
- dessiné par: **BIG - Bjarke Ingels Group**

## DIMENSIONS

- Longueur : **1530 mm**
- Largeur: **1350 mm**
- Hauteur: **30 mm**
- Largeur de la base: **306 mm**
- Base Width: **140 mm**
- Hauteur max. du plafond: **1650 mm**

**ACCESSOIRES**



Acoustic Diffuser Ø500mm - h200mm 2072120A



Acoustic Diffuser Ø500mm - h600mm 2072220A



Acoustic Diffuser Ø500mm - h400mm 2072020A



Acoustic Diffuser Ø700mm - h200mm 2073120A



Acoustic Diffuser Ø700mm - h400mm 2073020A



Acoustic Diffuser Ø700mm - h600mm 2073220A



Acoustic Diffuser Ø900mm - h400mm 2074020A



Acoustic Diffuser Ø900mm - h200mm 2074120A



Acoustic Diffuser Ø900mm - h600mm 2074220A